



Z5550

1.6 GPF ADA Elongated, Siphon Jet TAG _____ Two-Piece Toilet



Z5550 Series

- 1.6 gpf (gallons per flush)
- Vitreous china
- Elongated front rim
- 2-1/8" fully glazed trapway
- Siphon jet action elongated ADA bowl
- Pilot fill valve
- Chrome plated metal handle
- Includes bolt caps
- Large water surface
- Shipping weight: 87 lbs.

Engineering Specification:

- Z5550** Vitreous china, 1.6 gpf [6 Lpf] low consumption, elongated, siphon jet action, 17" rim height ADA compliant floor mounted toilet with 12" rough-in.

Z5550 Series

Suffix Options:

- IN** Insulated Tank
- RH** Tank with right-hand actuator
- VL** Vandal-proof locking lid.

Recommended Trim:

- Z5958SS-EL** Elongated, white, closed front toilet seat with cover & stainless steel check hinge.
- Z5972-COMB**
Closet bolt & wax ring kit.
- Z8800-CR**
Standard stop with flexible closet riser.

Optional Trim:

- Z5975-FLO-JR**
PVC Flo-Bowl Jr. closet flange kit

This space is for Architectural/engineering Approval

Note: Call for availability of multiple suffix options.

These dimensions and specifications are subject to change without notice.

Fixture dimensions meet ANSI/ASME standard A112.19.2 and CAN/CSA B45 requirements.

Meets the American Disabilities Guidelines and ANSI A117.1 requirements.



See Zurn One Systems for suggested packages.

Zurn Plumbing Products Group Commercial Brass and Fixtures Operation
2640 South Work Street · Falconer, NY 14733 · Phone: 716-665-1132 · Fax: 716-665-1135 · www.zurn.com



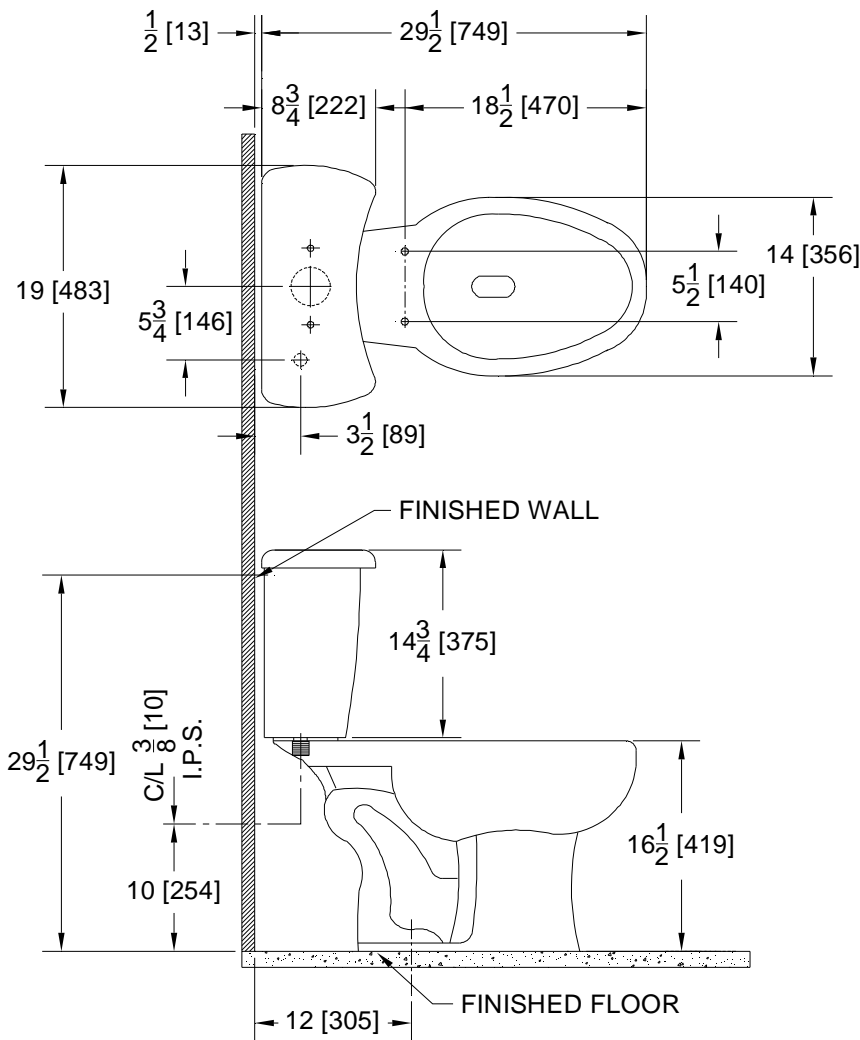
Z5550

1.6 GPF ADA Elongated, Siphon Jet Two-Piece Toilet Rough-in

TAG _____

Rough-in dimensions for Z5550 Series

- Z5550 elongated toilet with 12" rough-in
- Z5550-10 elongated toilet with 10" rough-in
- Z5550-14 elongated toilet with 14" rough-in



These dimensions and specifications are subject to change without notice.

Fixture dimensions meet ANSI/ASME standard A112.19.2 and CAN/CSA B45 requirements.

Meets the American Disabilities Guidelines and ANSI A117.1 requirements.



Zurn Plumbing Products Group Commercial Brass and Fixtures Operation

2640 South Work Street · Falconer, NY 14733 · Phone: 716-665-1132 · Fax: 716-665-1135 · www.zurn.com