

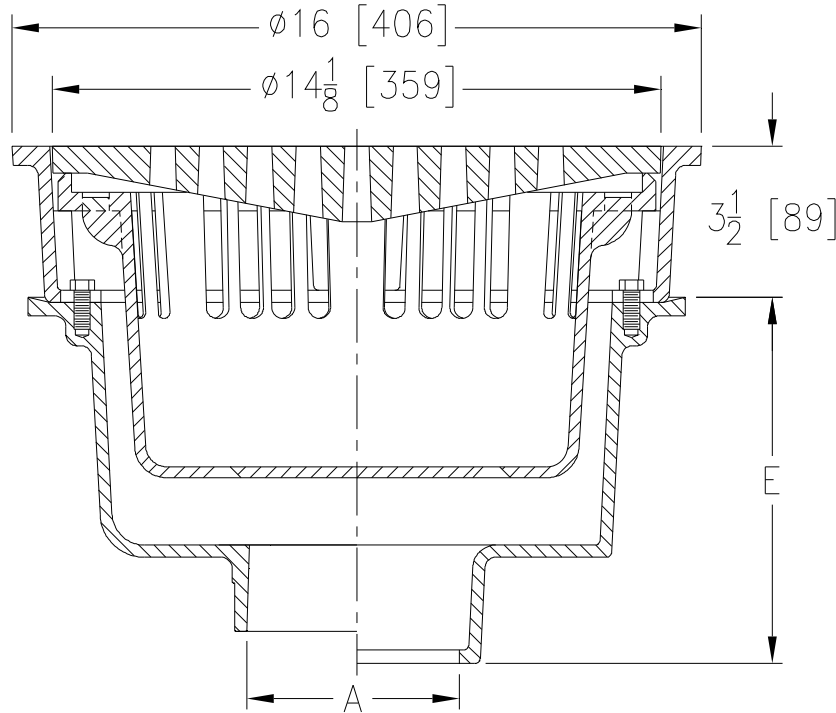


**Z543**

TAG \_\_\_\_\_

**16 [406] DIAMETER HEAVY-DUTY DRAIN**

Dimensional Data (inches and [ mm ]) are Subject to Manufacturing Tolerances and Change Without Notice



A Pipe Size Inches	Approx. Wt. Lbs. [kg]	Grate Open Area Sq. In. [cm <sup>2</sup> ]
3-4-5-6 [76-102-127-152]	135 [61]	50 [323]

**ENGINEERING SPECIFICATION: ZURN Z543**

16 [406] Diameter top drain, Dura-Coated cast iron deep sump body with bottom outlet, seepage pan and combination membrane flashing clamp and frame for heavy-duty cast iron slotted grate with suspended sediment bucket.

**OPTIONS** (Check/specify appropriate options)

**PIPE SIZE**

- 3 thru 6 [76 thru 152]
- 3, 4, 6 [76, 102, 152]
- 3 thru 6 [76 thru 152]
- 3 thru 6 [76 thru 152]
- 3, 4 [76, 102]

(Specify size/type) **OUTLET**

- \_\_\_ IC Inside Caulk
- \_\_\_ IG Inside Gasket.
- \_\_\_ IP Threaded
- \_\_\_ NH No-Hub
- \_\_\_ NL Neo-Loc

**'E' BODY HT. DIM.**

- 8-1/2 [216]
- 8-1/2 [216]
- 7 [178]
- 8-1/2 [216]
- 7-3/4 [197]

**PREFIXES**

- \_\_\_ Z D.C.C.I. Body and Top\*
- \_\_\_ ZB D.C.C.I. Body with Polished Bronze Top (Add 3/16 [5] to 3-1/2 [89] Dim.)
- \_\_\_ ZN D.C.C.I. Body with Polished Nickel Bronze Top (Add 3/16 [5] to 3-1/2 [89] Dim.)

**SUFFIXES**

- \_\_\_ -DG Duresist Grate
- \_\_\_ -G Galvanized Cast Iron
- \_\_\_ -P Trap Primer Connection
- \_\_\_ -TC Neo-Loc Test Cap Gasket (3 [76] - 4 [102] NL Bottom Outlet Only)
- \_\_\_ -TS Top Secured With Slotted Screws
- \_\_\_ -V Backwater Valve (See Z1099)
- \_\_\_ -VP Vandal-Proof Secured Top
- \_\_\_ -90 90° Threaded Side Outlet (See Z1042)

<b>REV. F</b>	<b>DATE: 02/06/12</b>	<b>C.N. NO. 122840</b>
<b>DWG. NO. 58945</b>	<b>PRODUCT NO. Z543</b>	

\*REGULARLY FURNISHED UNLESS OTHERWISE SPECIFIED