



# Z5410

## Wall Mount Blowout Service Sink

TAG \_\_\_\_\_



### Z5410

- Size: 21-1/2" [546 mm] x 19" [483 mm]
- Vitreous china
- Wall hung service sink
- Blowout action
- Integral flushing rim
- 1-1/2" top spud
- Shipping Weight: 60 lbs.

### Z5410 Series

#### Recommended Trim:

- Z6000AV-BWN1** AquaVantage® AV exposed closet flush valve with bedpan washer.

#### Optional Trim:

- Z60842AV-BWN** AquaVantage® AV exposed clinical sink flush valve with bedpan washer and service sink faucet.
- Z85500-WM** Wall-mounted double foot pedal valve.

### Engineering Specification:

- Z5410** Vitreous china, wall mounted blowout service sink with integral flushing rim and 1-1/2" top spud. Front & side stainless steel rim guards included.

This space is for Architectural/engineering Approval

*These dimensions and specifications are subject to change without notice.*

*Fixture dimensions meet ANSI/ASME standard A112.19.2 and CAN/CSA B45 requirements.*

See Zurn One Systems for suggested packages.

### Zurn Industries, Commercial Fixtures

5900 Elwin Buchanan Drive - Sanford, NC 27330 · Phone: 919-775-2255 · Fax: 919-775-3541 · www.zurn.com

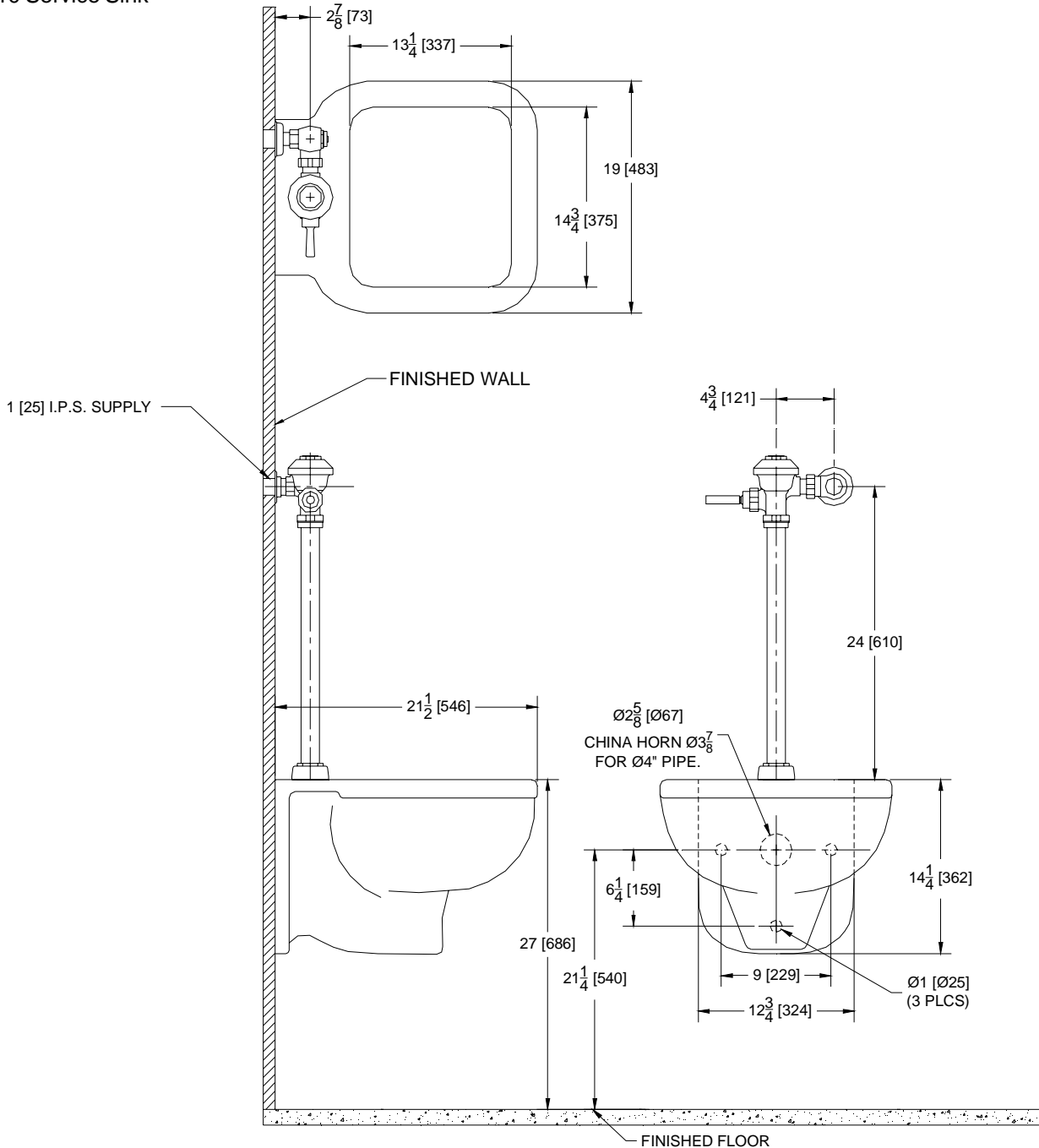


# Z5410

## Wall Mount Blowout Service Sink Rough-in

TAG \_\_\_\_\_

Rough-in dimensions for Z5410 Series  
• Z5410 Service Sink



These dimensions and specifications are subject to change without notice.

Fixture dimensions meet ANSI/ASME standard A112.19.2 and CAN/CSA B45 requirements.

Note:  
Z6017AV shown above  
For carrier see Z1217-B, Z1218-B  
(Not included)

**Zurn Industries, Commercial Fixtures**

5900 Elwin Buchanan Drive - Sanford, NC 27330 - Phone: 919-775-2255 - Fax: 919-775-3541 - www.zurn.com