



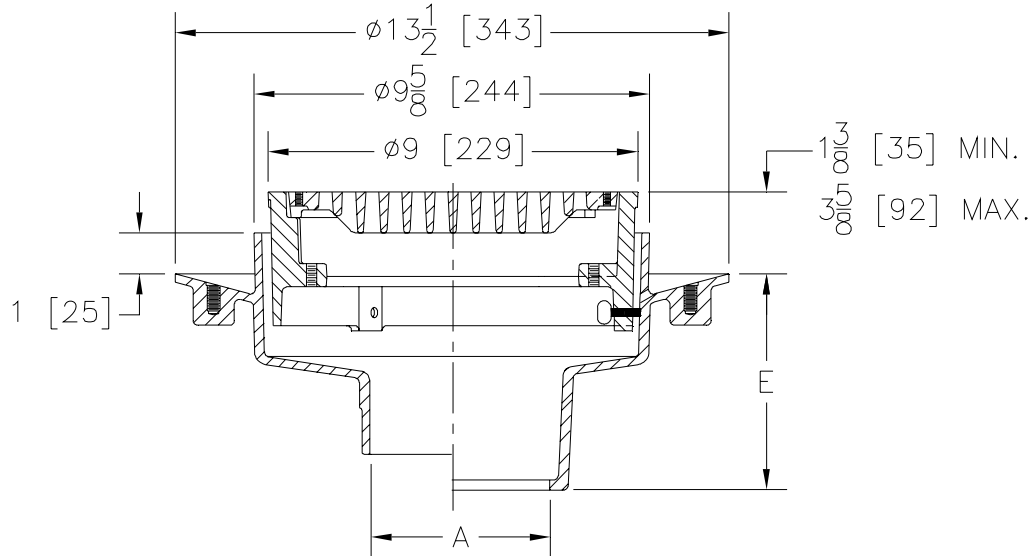
# Z525

## 9 [229] DIAMETER ADJUSTABLE MEDIUM DUTY DRAIN

SPECIFICATION SHEET

TAG \_\_\_\_\_

Dimensional Data (inches and [ mm ]) are Subject to Manufacturing Tolerances and Change Without Notice



A- Pipe Size In.	Approx. Wt. Lbs. [kg]	Grate Open Area Sq. In. [cm <sup>2</sup> ]
2-3-4 [51-76-102]	35 [16]	18 [116]
6 [152]	35 [16]	

### ENGINEERING SPECIFICATION: ZURN Z525

9 [229] Diameter top drain, Dura-Coated cast iron body with bottom outlet, seepage pan and adjustable extension frame with medium duty cast iron deep slotted grate.

### OPTIONS (Check/specify appropriate options)

#### PIPE SIZE

- 2 thru 4 [51 thru 102]
- 2 thru 4 [51 thru 102]
- 2 thru 4 [51 thru 102]
- 2 thru 4-6 [51 thru 102-152]
- 2 thru 4 [51 thru 102]

#### (Specify size/type) OUTLET

- \_\_\_ IC Inside Caulk
- \_\_\_ IG Inside Gasket
- \_\_\_ IP Threaded
- \_\_\_ NH No-Hub
- \_\_\_ NL Neo-Loc

#### 'E' DIM.

- 5-1/4 [133]
- 5-1/4 [133]
- 3-1/2 [89]
- 4-1/4 [108]
- 4-3/8 [111]

### PREFIXES

- \_\_\_ Z D.C.C.I. Body and Top\*
- \_\_\_ ZB D.C.C.I. Body with Polished Bronze Top (Add 3/16 [5] to 1-3/8 [35] - 3-5/8 [92] Dim. & 5/8 [16] to 9 [229] Dim.)
- \_\_\_ ZN D.C.C.I. Body with Polished Nickel Bronze Top (Add 3/16 [5] to 1-3/8 [35] - 3-5/8 [92] Dim. & 5/8 [16] to 9 [229] Dim.)

### SUFFIXES

- \_\_\_ -AR Acid Resisting Epoxy Coated Cast Iron
- \_\_\_ -C Clamp Collar
- \_\_\_ -D Dome Grate (Z Only)
- \_\_\_ -DG Duresist Grate
- \_\_\_ -F Extension Frame (4-5/8 [117] Min. - 6-5/8 [168] Max.)
- \_\_\_ -G Galvanized Cast Iron
- \_\_\_ -H Hinged Grate
- \_\_\_ -P Trap Primer Connection
- \_\_\_ -S Secondary Strainer
- \_\_\_ -SS Stainless Mesh Liner for Bucket
- \_\_\_ -T Square Top (9-5/8 [244])
- \_\_\_ -TC Neo-Loc Test Cap Gasket (2 [51] - 4 [102] NL Bottom Outlet Only)
- \_\_\_ -TS Top Secured with Slotted Screws
- \_\_\_ -VP Vandal-Proof Secured Top
- \_\_\_ -Y Sediment Bucket
- \_\_\_ -90 90° Side Outlet Body (See Z1042)

\*REGULARLY FURNISHED UNLESS OTHERWISE SPECIFIED

REV. F	DATE: 11/16/10	C.N. NO. 120447
DWG. NO. 58932	PRODUCT NO. Z525	

ZURN INDUSTRIES, LLC. ♦ SPECIFICATION DRAINAGE OPERATION ♦ 1801 Pittsburgh Ave. ♦ Erie, PA 16514

Phone: 814/455-0921 ♦ Fax: 814/454-7929 ♦ World Wide Web: www.zurn.com

In Canada: ZURN INDUSTRIES LIMITED ♦ 3544 Nashua Drive ♦ Mississauga, Ontario L4V1L2 ♦ Phone: 905/405-8272 Fax: 905/405-1292