



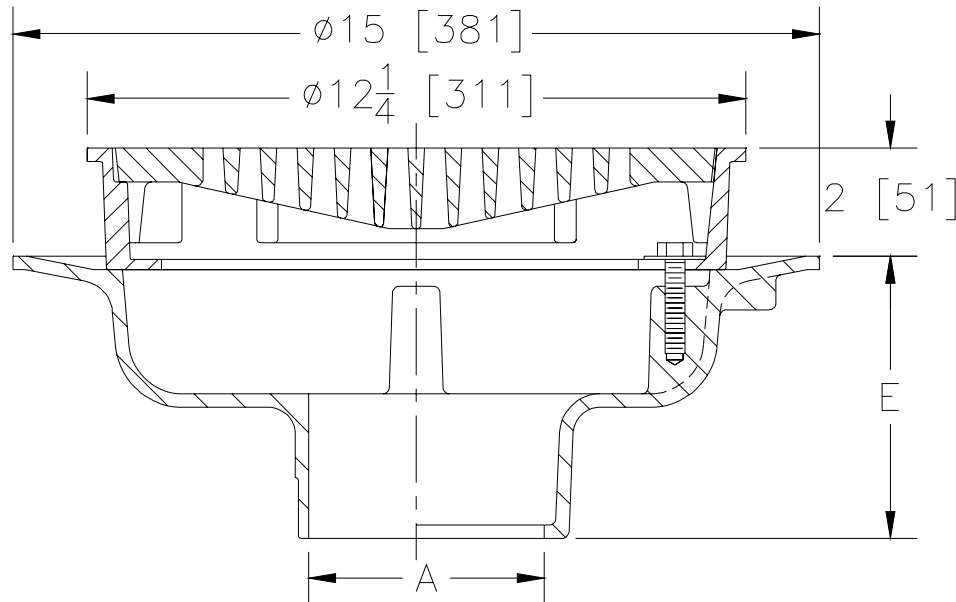
Z505

12 [305] HEAVY DUTY DRAIN

SPECIFICATION SHEET

TAG _____

Dimensional Data (inches and [mm]) are Subject to Manufacturing Tolerances and Change Without Notice



A- Pipe Size In.	Approx. Wt. Lbs. [kg]	Grate Open Area Sq. In. [cm ²]
2-3-4-5-6 [51-76-102-127-152]	38 [17]	30 [194]
8-10 [203-254]	40 [18]	

ENGINEERING SPECIFICATION: ZURN Z505 12 [305] Diameter top drain. Dura-Coated cast iron body with bottom outlet, seepage pan and combination membrane flashing clamp and frame for heavy duty deep flange slotted grate.

OPTIONS (Check/specify appropriate options)

PIPE SIZE

- 2 thru 6-8-10 [51 thru 152-203-254]
- 2 thru 4-6 [51 thru 102-152]
- 2 thru 6-8-10 [51 thru 152-203-254]
- 2 thru 6-8-10 [51 thru 152-203-254]
- 2 thru 4 [51 thru 102]

(Specify size/type) **OUTLET**

- ___ IC Inside Caulk
- ___ IG Inside Gasket
- ___ IP Threaded
- ___ NH No-Hub
- ___ NL Neo-Loc

'E' BODY HT. DIM.

- 5-1/4 [133]
- 5-1/4 [133]
- 3-3/4 [95]
- 5-1/4 [133]
- 4-5/8 [117]

PREFIXES

- ___ Z D.C.C.I. Body and Top*
- ___ ZB D.C.C.I. Body with Polished Bronze Top (Add 3/16 [5] to 2 [51] Dim. and 3/4 [20] to 12-1/4 [311] Dim.)
- ___ ZN D.C.C.I. Body with Polished Nickel Bronze Top (Add 3/16 [5] to 2 [51] Dim. and 3/4 [20] to 12-1/4 [311] Dim.)

SUFFIXES

- | | |
|--|--|
| <ul style="list-style-type: none"> ___ -AR Acid Resisting Epoxy Coated Cast Iron ___ -D Dome Grate ___ -DG Duresist Grate ___ -F Extension Frame
(Specify Total Height Req'd.) ___ -G Galvanized Cast Iron ___ -HP Heel-Proof Grate ___ -HT Square Hinged Grate ___ -P Trap Primer Connection ___ -S Secondary Strainer ___ -SA Stabilizer Assembly (See Z1036) ___ -SC Solid Cover | <ul style="list-style-type: none"> ___ -SS Stainless Mesh Liner for Bucket ___ -T Square Top ___ -TC Neo-Loc Test Cap Gasket
(2 [51]-4 [102] NL Bottom Outlet Only) ___ -TS Top Secured with Slotted Screws ___ -V Backwater Valve (See Z1099) ___ -VP Vandal-Proof Secured Top ___ -Y Sediment Bucket ___ -90 90° Threaded Side Outlet Body
(2 [51] - 6 [152] Only) |
|--|--|

*REGULARLY FURNISHED UNLESS OTHERWISE SPECIFIED

REV. E	DATE: 11/15/10	C.N. NO. 120411
DWG. NO. 58922		PRODUCT NO. Z505