



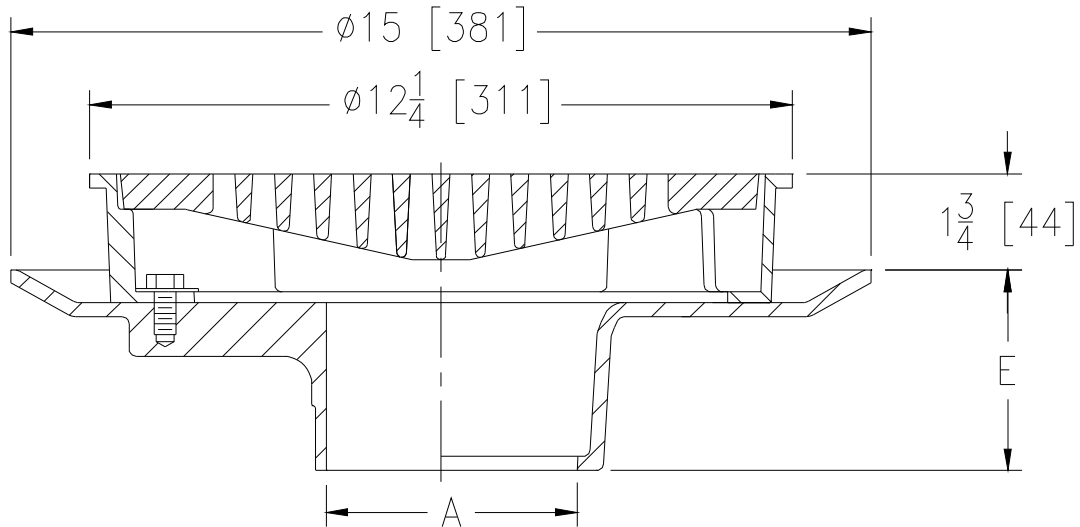
Z504

12 [305] HEAVY-DUTY DRAIN

SPECIFICATION SHEET

TAG _____

Dimensional Data (inches and [mm]) are Subject to Manufacturing Tolerances and Change Without Notice



A- Pipe Size In.	Approx. Wt. Lbs. [kg]	Grate Open Area Sq. In. [cm ²]
3-4-6 [76-102-152]	32 [15]	30 [194]

ENGINEERING SPECIFICATION: ZURN Z504 12 [305] Diameter top drain-Dura-Coated cast iron body with bottom outlet, seepage pan and combination membrane flashing clamp and frame for heavy-duty slotted grate.

OPTIONS (Check/specify appropriate options)

PIPE SIZE

- 3-4-6 [76-102-152]
- 3-4-6 [76-102-152]
- 3-4-6 [76-102-152]
- 3-4-6 [76-102-152]
- 3-4 [76-102]

(Specify size/type) **OUTLET**

- ___ IC Inside Caulk
- ___ IG Inside Gasket
- ___ IP Threaded
- ___ NH No-Hub
- ___ NL Neo-Loc

'E' BODY HT. DIM.

- 3-1/2 [89]
- 3-1/2 [89]
- 3-1/2 [89]
- 3-1/2 [89]
- 2-5/8 [67]

PREFIXES

- ___ Z D.C.C.I. Body and Top*
- ___ ZB D.C.C.I. Body with Polished Bronze Top (Add 3/16 [5] to 1-3/4 [44] Dim. and 3/4 [20] to 12-1/4 [311] Dim.)
- ___ ZN D.C.C.I. Body with Polished Nickel Bronze Top (Add 3/16 [5] to 1-3/4 [44] Dim. and 3/4 [20] to 12-1/4 [311] Dim.)

SUFFIXES

- | | |
|--|---|
| <ul style="list-style-type: none"> ___ -AR Acid Resisting Epoxy Coated Cast Iron ___ -D Dome Grate ___ -DG Duresist Grate ___ -F Extension Frame
(Specify Total Height Req'd.) ___ -G Galvanized Cast Iron ___ -H Hinged Grate ___ -HP Heel-Proof Grate ___ -HT Square Hinged Grate ___ -P Trap Primer Connection | <ul style="list-style-type: none"> ___ -S Secondary Strainer ___ -SC Solid Cover ___ -T Square Top (Add 7/16 [11] to 1 3/4 [44] Dim.) ___ -TC Neo-Loc Test Cap Gasket
(3 - 4 [76 - 102] NL Bottom Outlet Only) ___ -TS Top Secured with Slotted Screws ___ -V Backwater Valve (See Z1099) ___ -VP Vandal-Proof Secured Top ___ -Y Sediment Bucket |
|--|---|

*REGULARLY FURNISHED UNLESS OTHERWISE SPECIFIED

REV. F	DATE: 11/15/10	C.N. NO. 120410
DWG. NO. 58921		PRODUCT NO. Z504

ZURN INDUSTRIES, LLC. ♦ SPECIFICATION DRAINAGE OPERATION ♦ 1801 Pittsburgh Ave. ♦ Erie, PA 16514

Phone: 814/455-0921 ♦ Fax: 814/454-7929 ♦ World Wide Web: www.zurn.com

In Canada: ZURN INDUSTRIES LIMITED ♦ 3544 Nashua Drive ♦ Mississauga, Ontario L4V1L2 ♦ Phone: 905/405-8272 Fax: 905/405-1292