



Z1800-8B

8 [203] DIAMETER ROUND INDUSTRIAL FLOOR DRAIN

SPECIFICATION SHEET

TAG _____

Dimensional Data (inches and [mm]) are Subject to Manufacturing Tolerances and Change Without Notice

Engineering Specification: ZURN Z1800-8B
 8 [203] Diameter x 6 [152] deep, 18 gage, all type 304 (CF8) stainless steel round industrial floor drain with loose set anti-tilt heavy-duty perimeter drainage cover, reinforced top frame, perforated removable sediment bucket with lift handle, pre-sloped bottom sump, and pre-pour stabilizing anchor tabs.

Approx. Wt. Lbs. [kg]	Grate Open Area Sq. In. [cm ²]
7 [3]	6.1 [39]

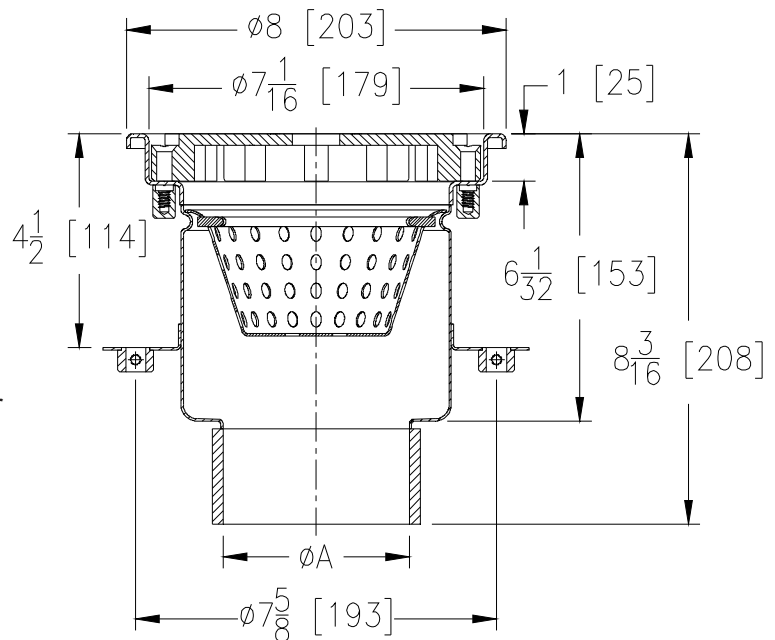
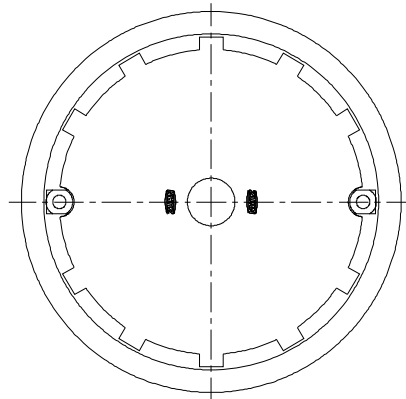
Options (Check/specify appropriate options)

Pipe Size (ØA) (Specify size/type) **Outlet**
 2-3-4 [51-76-102] _____ BW Butt-Weld (Sch. 10)
 2-3-4 [51-76-102] _____ NH No-Hub

Prefixes
 _____ Z Type 304 (CF8) Stainless Steel*
 _____ ZM Type 316 (CF8M) Stainless Steel

Suffixes
 _____ -B Bell Trap/Solid Sediment Bucket
 _____ -KC Anchor Flange w/Seepage Holes and Clamp Collar
 _____ -P ø1/2 [13] Trap Primer Connection
 _____ -SA Stabilizer Assembly (Z1035)
 _____ -SQ Stabilizer Q-Deck (Z1035-Q)
 _____ -TS Top Secured Grate
 _____ -2PT 2 [51] Stainless Steel P-Trap
 _____ -3PT 3 [76] Stainless Steel P-Trap
 _____ -4PT 4 [102] Stainless Steel P-Trap

Grate Options
 _____ -GCH Heavy-Duty Gas Tight Solid Cover
 _____ -PCX Extra-Heavy-Duty Perimeter Drainage Cover (6.1 Sq. In. [39 cm²] Open Area)
 _____ -PGM Medium-Duty Perforated Grate (9.9 Sq. In. [64 cm²] Open Area)
 _____ -SGH Heavy-Duty Slotted Grate (11.2 Sq. In. [72 cm²] Open Area)
 _____ -SGM Medium-Duty Slotted Grate (11.2 Sq. In. [72 cm²] Open Area)



* Regularly furnished unless otherwise specified.