



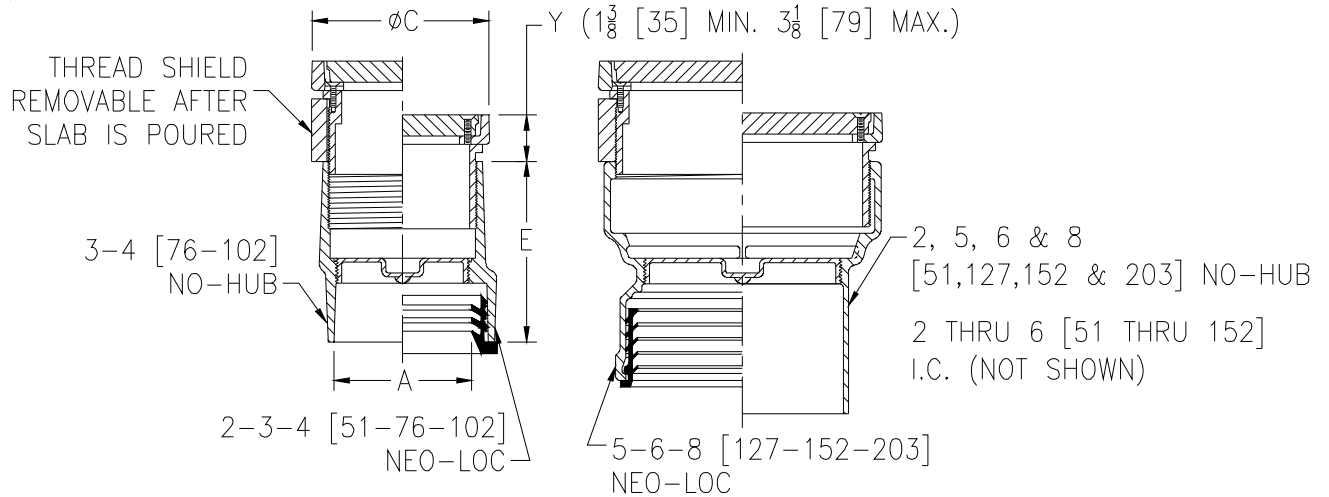
# Z1400

## EXTRA-HEAVY-DUTY "LEVEL-TROL" ADJUSTABLE FLOOR CLEANOUT

SPECIFICATION SHEET

TAG \_\_\_\_\_

Dimensional Data (inches and [ mm ]) are Subject to Manufacturing Tolerances and Change Without Notice



### ENGINEERING SPECIFICATION: ZURN Z1400

"Level-Trol" Adjustable floor cleanout, Dura-Coated cast iron body with gas and watertight ABS tapered thread plug and round scoriated cast iron extra-heavy-duty secured top (Specify finish Z, ZB, ZN, ZS) adjustable to finished floor.

Dimension In Inches			Approx. Wt. Lbs. [kg.]
A-Pipe Size	C	E	
Inside Caulk			
2 [51]	6-1/8 [156]	6-7/8 [175]	13.8 [6.3]
3 [76]	6-1/8 [156]	6-7/8 [175]	14 [6.4]
4 [102]	7-1/4 [184]	6-7/8 [175]	18.3 [8.3]
5 [127]	8-1/4 [210]	6-7/8 [175]	22.6 [10.3]
6 [152]	9-1/4 [235]	6-7/8 [175]	32.2 [14.6]
No-Hub			
2 [51]	4-1/8 [105]	4-5/8 [117]	7 [3]
3 [76]	4-1/8 [105]	4-3/4 [121]	7.7 [3.5]
4 [102]	5-1/8 [130]	4-3/4 [121]	10.3 [4.7]
5 [127]	7-1/4 [184]	7-1/2 [191]	17.6 [8]
6 [152]	8-1/4 [210]	4-3/4 [121]	22.2 [10.1]
8 [203]	9-1/4 [235]	7-1/2 [191]	29.9 [13.6]
Neo-Loc			
2 [51]	4-1/8 [105]	4-3/4 [121]	7.9 [3.6]
3 [76]	5-1/8 [130]	4-3/4 [121]	10.6 [4.8]
4 [102]	5-1/8 [130]	4-3/4 [121]	11.9 [5.4]
5 [127]	7-1/4 [184]	6-1/2 [165]	18.7 [8.5]
6 [152]	8-1/4 [210]	5-7/8 [149]	21.9 [9.9]
8 [203]	9-1/4 [235]	6-1/2 [165]	23.5 [10.7]

### OPTIONS (Check/specify appropriate options)

#### PREFIXES

- \_\_\_ Z Dura Coated Cast Iron\*
- \_\_\_ ZB D.C.C.I. w/ Polished Bronze Light-Duty Top (Deduct 1/2 [13] from 'Y' Dim.)
- \_\_\_ ZN D.C.C.I. w/ Polished Nickel Bronze Light-Duty Top (Deduct 1/2 [13] from 'Y' Dim.)
- \_\_\_ ZS D.C.C.I. w/ Polished Stainless Steel Extra-Heavy-Duty Top (Add 3/16 [5] to 'Y' Dim.)

#### SUFFIXES

- \_\_\_ -AR Acid Resisting Epoxy Coated Finish
- \_\_\_ -BP Bronze Plug
- \_\_\_ -CF Carpet Flange Cover (ZB and ZN only)
- \_\_\_ -CM Carpet Marker
- \_\_\_ -DC Duresist Cover
- \_\_\_ -DX Round ZB or ZN Top with Dex-o-tex Flange (2 thru 4 [51 thru 102] Sizes only)
- \_\_\_ -G Galvanized Cast Iron
- \_\_\_ -HD Extra-Heavy-Duty Veneer Top (Add 1/8 [3] to 'Y' Dim.) (ZB and ZN only)
- \_\_\_ -K Anchor Flange
- \_\_\_ -KC Anchor Flange w/ Clamping Collar
- \_\_\_ -PC Protective Cover
- \_\_\_ -SG Solid Gasketed Cover
- \_\_\_ -SM Special Marking Stamped on Top
- \_\_\_ -T Square Top
- \_\_\_ -TC Neo-Loc Test Cap Gasket (2-4 [51-102] NL Bottom Outlet Only)
- \_\_\_ -TX Square Top Recessed for 1/8 [3] Tile (ZB and ZN only)
- \_\_\_ -VP Vandal-Proof Screws
- \_\_\_ -X Round Top Recessed for 1/8 [3] Tile (ZB or ZN only)
- \_\_\_ -Z Round Top Recessed for 1-1/4 [32] Terrazzo (ZB or ZN only)

### PIPE SIZE

- 2-3-4-5-6 [51-76-102-127-152]
- 2-3-4-5-6-8 [51-76-102-127-152-203]
- 2-3-4-5-6-8 [51-76-102-127-152-203]

### (Specify size/type) OUTLET

- \_\_\_ IC Inside Caulk
- \_\_\_ NH No-Hub
- \_\_\_ NL Neo-Loc

### 'E' BODY HT. DIM.

- See Chart
- See Chart
- See Chart

\* Regularly furnished unless otherwise specified.