



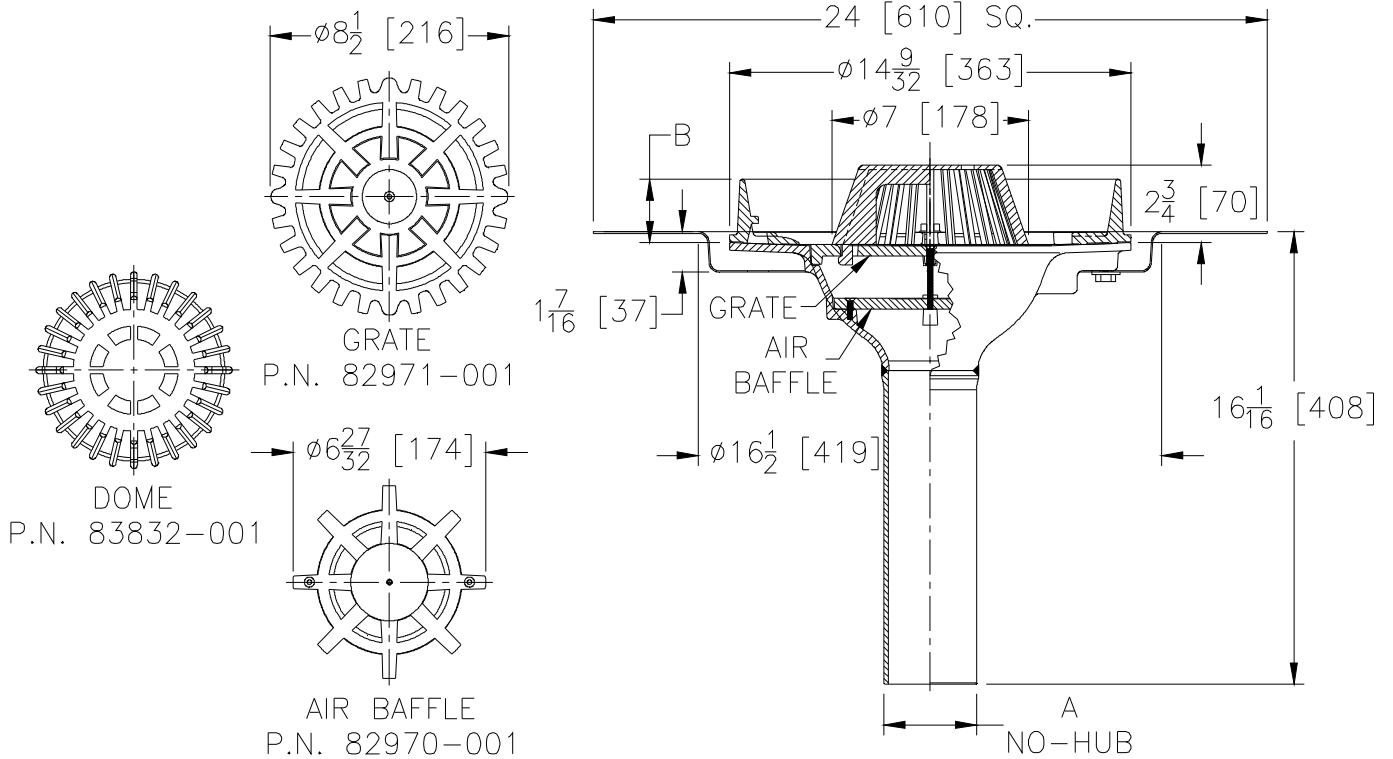
# Z131

## 14-9/32 [636] DIAMETER SIPHONIC OVERFLOW ROOF DRAIN

SPECIFICATION SHEET

TAG \_\_\_\_\_

Dimensional Data (inches and [mm]) are Subject to Manufacturing Tolerances and Change Without Notice



A Pipe Size In.	Approx. Wt. Lbs. [kg]	Dome Open Area Sq. In. [cm <sup>2</sup> ]
2 - 3 - 4 [51-76-102]	48 [22]	28 [181]

**ENGINEERING SPECIFICATION: ZURN Z131**  
 14-9/32 [636] Diameter Siphonic Overflow Roof Drain with Dura-coated ductile iron drain body, 'B' high external combination membrane flashing clamp / overflow gravel guard, and low silhouette poly-dome. Complete with vandal-proof secured, Dura-coated cast iron air-restricting baffle and grate, and Top-Set® deck plate.

**OPTIONS** (Check/specify appropriate options)

**PIPE SIZE**

2 [51]  
 3 - 4 [76 - 102]

(Specify size) **OUTLET**

\_\_\_\_\_ NH No-Hub  
 \_\_\_\_\_ NH No-Hub

**'B' DIMENSION**

2-1/4 [57]  
 3-5/16 [84]

**PREFIXES**

\_\_\_\_\_ Z Dura-Coated Ductile Iron Body with Poly-Dome\*

**SUFFIXES**

\_\_\_\_\_ -DR Top-Set® Drain Riser  
 \_\_\_\_\_ -EB Top-Set® Adjustable Extension Assembly  
 \_\_\_\_\_ -VP Vandal-Proof Secured Top

\*REGULARLY FURNISHED UNLESS OTHERWISE SPECIFIED

REV. C	DATE: 10/20/10	C.N. NO. 111885
DWG. NO. 83058	PRODUCT NO. Z131	