



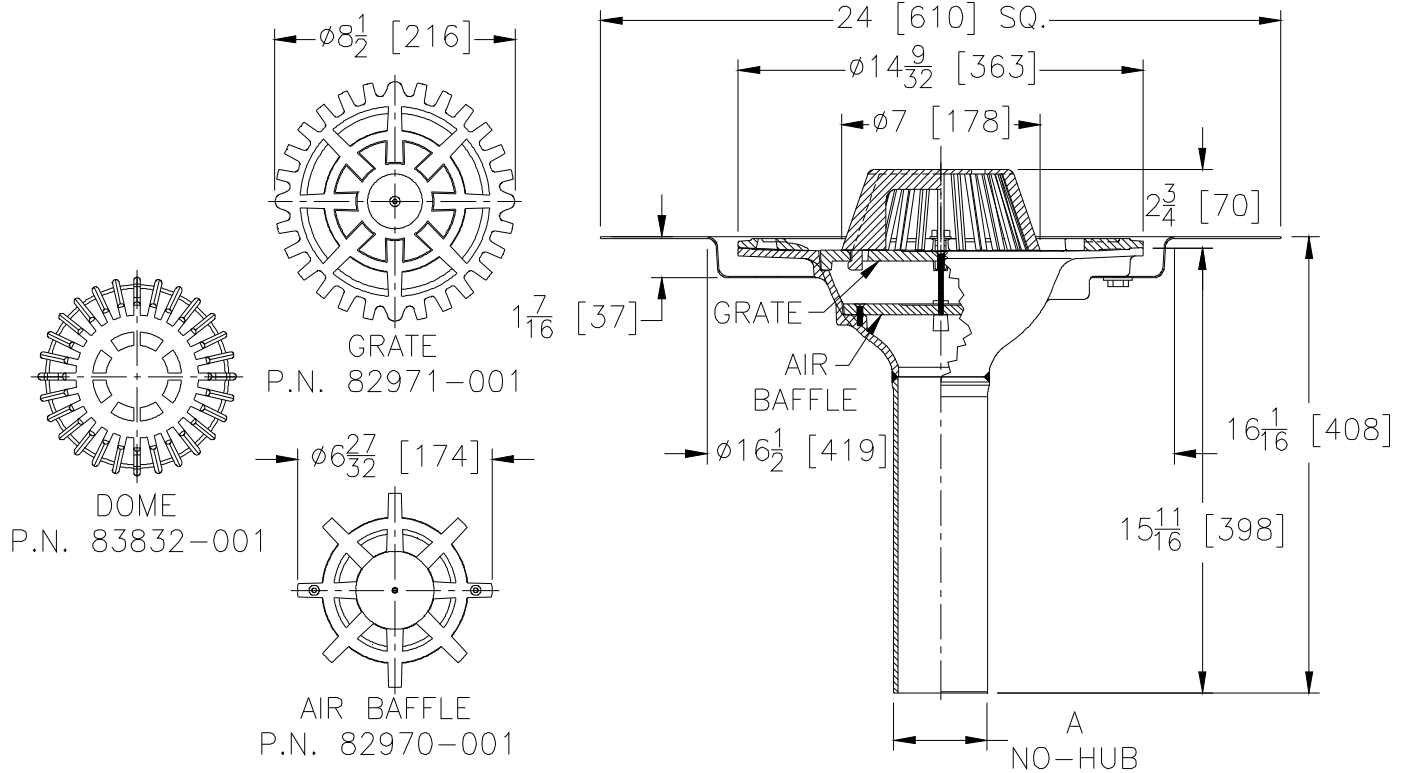
Z130

14-9/32 [636] DIAMETER SIPHONIC MAIN ROOF DRAIN

SPECIFICATION SHEET

TAG _____

Dimensional Data (inches and [mm]) are Subject to Manufacturing Tolerances and Change Without Notice



A Pipe Size In.	Approx. Wt. Lbs. [kg]	Dome Open Area Sq. In. [cm ²]
2 - 3 - 4 [51-76-102]	44 [20]	28 [181]

ENGINEERING SPECIFICATION: ZURN Z130
 14-9/32 [363] Diameter Siphonic Roof Drain with Dura-coated ductile iron drain body, membrane flashing clamp, and low silhouette poly-dome. Complete with vandal-proof secured, Dura-coated cast iron air-restricting baffle and grate, and Top-Set® deck plate.

OPTIONS (Check/specify appropriate options)

PIPE SIZE

2 - 3 - 4 [51 - 76 - 102]

(Specify size) **OUTLET**

_____ NH No-Hub

PREFIXES

_____ Z Dura-Coated Ductile Iron Body with Poly-Dome

SUFFIXES

- _____ -DR Top-Set® Drain Riser
- _____ -EB Top-Set® Adjustable Extension Assembly
- _____ -LD Less Dome
- _____ -LG Less Dome & Grate
- _____ -VP Vandal-Proof Secured Top
- _____ -84 Stainless Steel Perforated Gravel Guard

*REGULARLY FURNISHED UNLESS OTHERWISE SPECIFIED

REV. C DATE: 10/20/10 C.N. NO. 111884

DWG. NO. 83022 PRODUCT NO. Z130