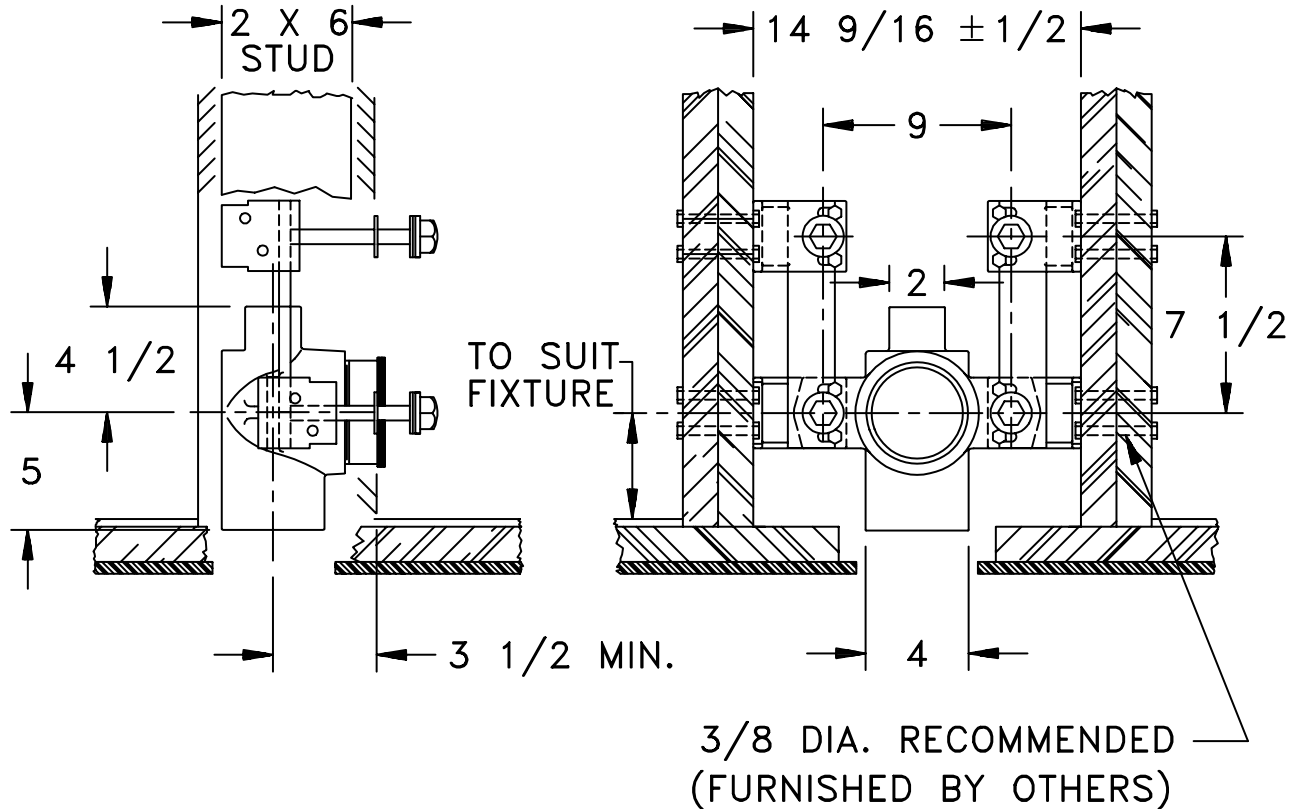




Z-1280-N4-2 RESIDENTIAL WATER CLOSET SUPPORT SYSTEM

TAG _____

Dimensional Data (inches and [mm]) are Subject to Manufacturing Tolerances and Change Without Notice



Product No.	Approx. Wt. Lbs.
Z-1280-N3-2	30
Z-1280-N4-2	40

ENGINEERING SPECIFICATION: ZURN Z-1280-N4-2 Residential water closet support system. Complete with Dura-Coated cast iron 4" No-Hub fitting with 2" Vent, support brackets, corrosion resistant ABS coupling, fixture bolts and trim, and bonded "Neo-Seal" gasket.

PRODUCT/DEFINITION

- _____ **Z-1280-N3-2** 3" No-Hub Fitting with 2" Vent
 _____ **Z-1280-N4-2** 4" No-Hub Fitting with 2" Vent (Shown Above)

PREFIXES

- _____ **Z-** Dura-Coated Plate System*

SUFFIXES

- _____ **-CL** Coupling Length Greater Than 4"
 _____ **-HT** Hanger Type Closet Adapter
 _____ **-Y** Foot Support System

*REGULARLY FURNISHED UNLESS OTHERWISE SPECIFIED, LETTER DIMENSIONS TO MEET FIXTURE REQUIREMENTS.

REV. C	DATE: 12/21/93	C.N. NO. 69456
DRAWING NO. 56670	PRODUCT NO. Z-1280-N4-2	

ZURN INDUSTRIES, INC. ♦ SPECIFICATION DRAINAGE OPERATION ♦ 1801 Pittsburgh Ave. ♦ Erie, PA 16514

Phone: 814/455-0921 ♦ Fax: 814/454-7929 ♦ World Wide Web: www.zurn.com

In Canada: ZURN INDUSTRIES LIMITED ♦ 3544 Nashua Drive ♦ Mississauga, Ontario L4V1L2 ♦ Phone: 905/405-8272 Fax: 905/405-1292