



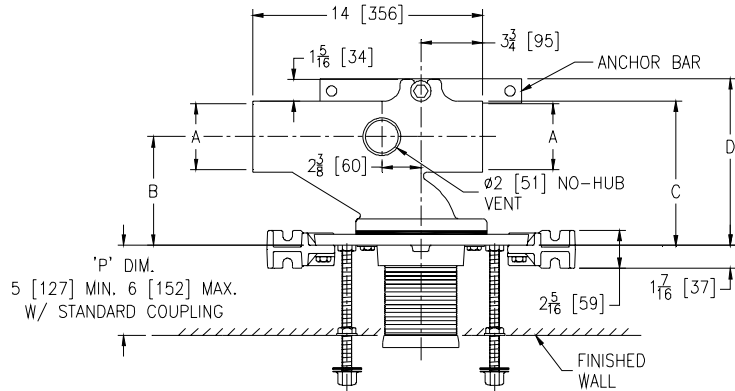
Z1203-N-X

ADJUSTABLE HORIZONTAL SIPHON JET 500 LB. [227 KG.] NO-HUB W/ HEAVY-DUTY REAR ANCHOR TIE DOWN

SPECIFICATION SHEET

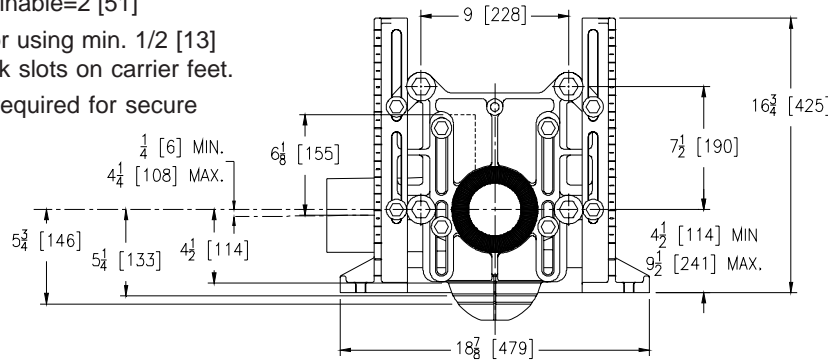
TAG _____

Dimensional Data (inches and [mm]) are Subject to Manufacturing Tolerances and Change Without Notice



Note:

1. Min. 'P' Dim. Obtainable=2 [51]
2. Feet bolted to floor using min. 1/2 [13] dia. bolts and back slots on carrier feet.
3. Rear anchor bar required for secure installation.



Product Number	A	B	C	D	Approx. Wt. Lbs. [kg.]
Z1203-NL3/NR3-X	3 [76]	5-13/16 [148]	7-1/2 [190]	8-7/8 [225]	70 [32]
Z1203-NL4/NR4-X	4 [102]	6-11/16 [170]	8-7/8 [224]	10-1/8 [258]	74 [34]

ENGINEERING SPECIFICATION: ZURN Z1203-N(-)-X

Adjustable, horizontal siphon jet 500 Lb.[227 Kg.] water closet "Rigid System" with No-Hub connections. Complete with Dura-Coated cast iron right hand or left hand main fitting, with 2 [51] vent, adjustable gasketed faceplate, universal floor mounted foot supports, corrosion resistant adjustable ABS coupling with integral test cap, fixture bolts, trim, stud protectors, heavy-duty rear anchor tie down, and bonded "Neo-Seal" gasket.

OPTIONS (Check/specify appropriate options)

- | | |
|--------------------|---|
| Z1203-NR3-X | 3 [76] No-Hub Right Hand Inlet with Flow to Left |
| Z1203-NL3-X | 3 [76] No-Hub Left Hand Inlet with Flow to Right |
| Z1203-NR4-X | 4 [102] No-Hub Right Hand Inlet with Flow to Left |
| Z1203-NL4-X | 4 [102] No-Hub Left Hand Inlet with Flow to Right |

PREFIXES

- | | |
|----------|---|
| _____ Z | D.C.C.I. System with Zurn "ZZ" Adjustable Coupling* |
| _____ ZQ | D.C.C.I. System with NPT Faceplate, Non-Adjustable Coupling |

SUFFIXES

- | | | | |
|-----------|--|-----------|--|
| _____ -A | Auxiliary Support Assembly
(For 'P' Dim. Greater than 18 [457]) | _____ -M | Auxiliary Foot Support (for 'P' Dim.
10 - 18 [254 - 457]) |
| _____ -BC | Back Cleanout | _____ -VP | Vandal Proof Trim |
| _____ -CC | Corrosion Resistant Cast Iron Coupling
(6 to 12 [152 to 305]) | _____ -45 | Finishing Frame for Siphon Jet System |
| _____ -G | Galvanized Cast Iron | _____ -50 | Flush Valve Supply Support for Water Closets |
| _____ -CV | Closed Vent (Use only when local codes allow) | _____ -61 | "ZZ" Coupling Wrench |

REV. A	DATE: 6/11/10	C.N. NO. 111257
DWG. NO. 83057	PRODUCT NO. Z1203-N-X	

*REGULARLY FURNISHED UNLESS OTHERWISE SPECIFIED