



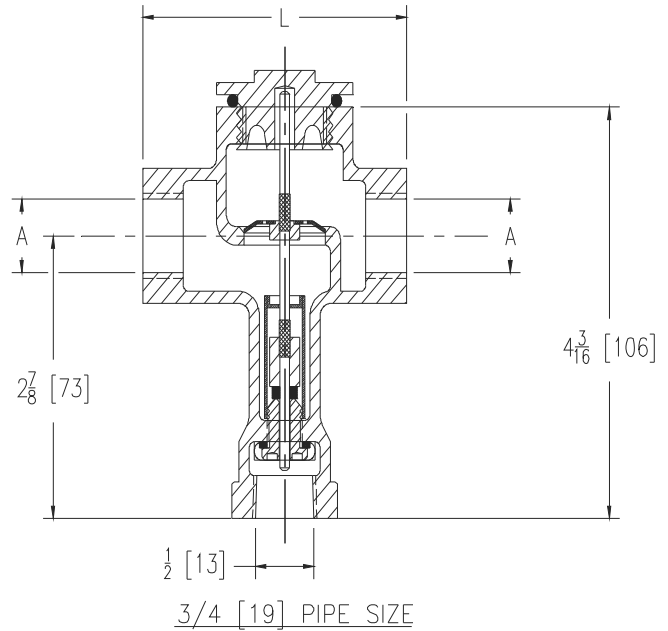
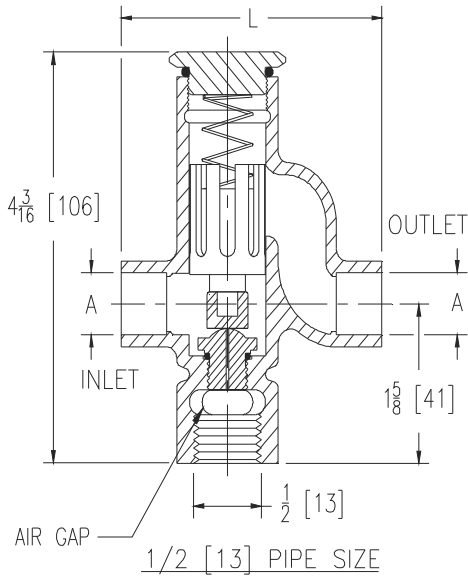
Z1022

SANI-GARD AUTOMATIC TRAP PRIMER

SPECIFICATION SHEET

TAG _____

Dimensional Data (inches and [mm]) are Subject to Manufacturing Tolerances and Change Without Notice



Dimensions In Inches		Approx. Wt. Lbs. [kg]
A Pipe Size/Connection	L	
1/2 [13] Solder Female	3-1/4 [83]	1 [.5]
1/2 [13] IP Female	3-1/4 [83]	1 [.5]
1/2 [13] Solder Female Union	5-11/16 [144]	1.5 [.75]
1/2 [13] IP Female Union	5-3/8 [137]	1.5 [.75]
3/4 [19] IP Female	6-3/8 [161]	2.0 [.9]

ENGINEERING SPECIFICATION: ZURN Z1022
 Sani-Gard Automatic Trap Primer, all bronze body with integral vacuum breaker, non-liming internal operating assembly with, gasketed bronze cover.

PIPE SIZE / CONNECTIONS (Specify size/type)

- _____ 1/2 [13] Solder Female
- _____ 1/2 [13] IP Female
- _____ 1/2 [13] Solder Female Union
- _____ 1/2 [13] IP Female Union
- _____ 3/4 [19] IP Female

PREFIXES

- _____ Z All Plain Bronze Body*

SUFFIXES

- _____ -CP Chrome Plated Finish
- _____ -DU2 2-Outlet Distribution Unit
- _____ -DU3 3-Outlet Distribution Unit
- _____ -DU4 4-Outlet Distribution Unit
- _____ -RK Repair Kit



1018

REV. H	DATE: 03/25/13	C.N. NO. 128997
PROD./DWG. NO. Z1022		

*REGULARLY FURNISHED UNLESS OTHERWISE SPECIFIED