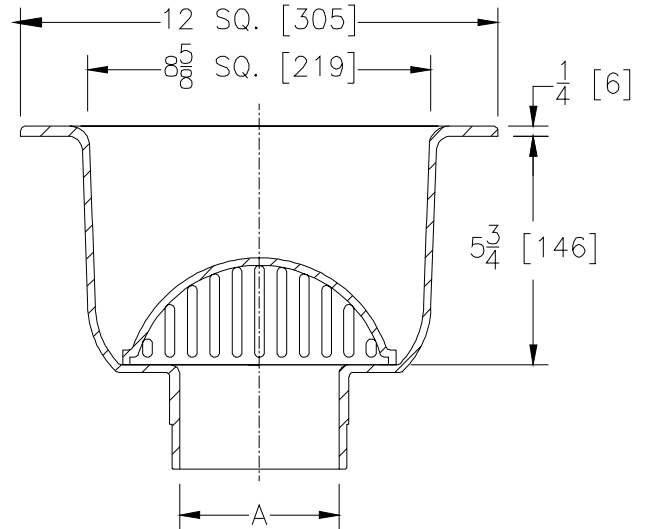


Dimensional Data (inches and [mm]) are Subject to Manufacturing Tolerances and Change Without Notice



Product	'A' Connections
__ FD2375-NH2	2 [51] No-Hub
__ FD2375-NH3	3 [76] No-Hub
__ FD2375-NH4	4 [102] No-Hub

FD2375 12x12 [305 x 305] A.R.E. Floor Sink 6 [152] Sump Depth

Recommended for sanitary installations. It consists of a cast iron body with a white acid-resisting porcelain enamel interior coating, and an ABS anti-splash dome strainer.

OPTIONS:

- ___ **F** Full Grate
- ___ **H** 1/2 Grate
- ___ **T** 3/4 Grate
- ___ **Y** Sediment Bucket

Typical Installation

