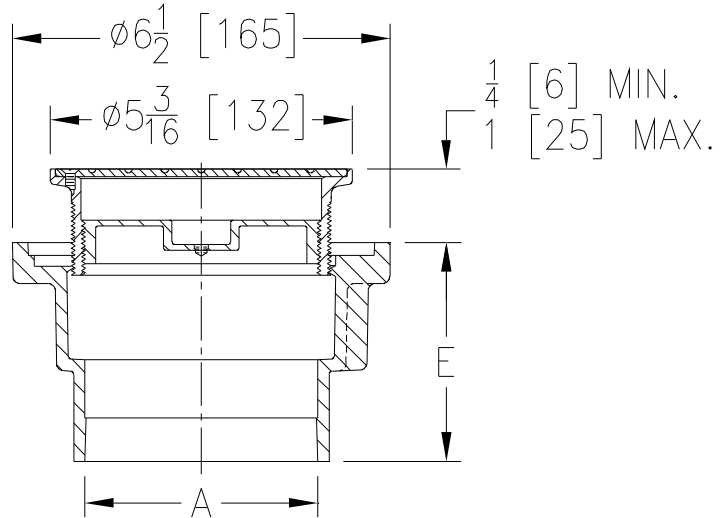


Dimensional Data (inches and [mm]) are Subject to Manufacturing Tolerances and Change Without Notice



Product	Pipe Connections	'E' BODY HT. DIM.
___ CO2500-NH2	2 [51] No-Hub	3 3/4 [59]
___ CO2500-NH3	3 [76] No-Hub	3 3/4 [59]
___ CO2500-NH4	4 [102] No-Hub	3 3/4 [59]
___ CO2500-PO2	2 [51] Push-On	4 [102]
___ CO2500-PO3	3 [76] Push-On	4 [102]
___ CO2500-PO4	4 [102] Push-On	4 [102]

CO2500 Finished Area Adjustable Cleanout
Regularly furnished with cast iron body, nickel adjustable head and internal ABS plug.

OPTIONS

- ___ -HD Heavy-Duty Top
- ___ -VP Vandal-Proof Screws

Typical installation

