

Product information presented here reflects conditions at time of publication. Consult factory regarding discrepancies or inconsistencies.

PUMP COMPANY

Zoeller Family of Water Solutions™

MAIL TO: P.O. BOX 16347 • Louisville, KY 40256-0347
 SHIP TO: 3649 Cane Run Road • Louisville, KY 40211-1961
 (502) 778-2731 • 1 (800) 928-PUMP • FAX (502) 774-3624

visit our web site:
www.zoeller.com

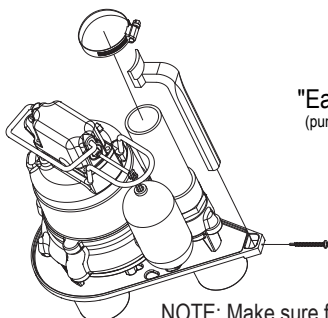
COMPARE THESE FEATURES

- Durable cast iron construction
- Model 140 features a non-clogging engineered thermoplastic vortex impeller design and passes ½" spherical solids
- Model 145 features an engineered thermoplastic single vane impeller design and passes ¾" spherical solids
- Motor - 60 Hz, 3450 RPM, oil-filled, hermetically sealed, automatic reset, thermal overload protected
- Available in both single or double shaft seal designs
- Carbon/ceramic mechanical shaft seals
- Assembled with stainless steel bolts
- Stainless steel lifting handle
- Upper sleeve and lower ball bearing running in bath of oil
- 20 ft. UL Listed Neoprene cord with molded plug cap and ground wire
- 1½" NPT vertical discharge
- BN and BE models include a variable level float switch and 1½" X 2" PVC adapter fitting
- Operates at temperatures to 130°F (54°C) in effluent or dewatering applications
- Corrosion-resistant powder coated epoxy finish

NOTE: The sizing of effluent systems normally requires variable level float(s) controls and properly sized basins to achieve required pumping cycles or dosing timers with nonautomatic pumps.

OPTIONAL PUMP STAND P/N 10-2421

- Reduces potential clogging by debris.
- Replaces rocks or bricks under the pump.
- Made of durable, noncorrosive ABS.
- Raises pump 2" off bottom of basin.
- Provides the ability to raise intake by adding sections of 1½" or 2" PVC piping.
- Attaches securely to pump.
- Accommodates sump, dewatering and effluent applications.



"Easy assembly"
 (pump & discharge pipe not included.)

NOTE: Make sure float is free from obstruction.

140/4140 & 145/4145 Cast Iron Series

(For Pump Prefix Identification see News & Views 0052)

"FLOW-MATE"

FOR SEPTIC TANK - LOW PRESSURE PIPE (LPP)
 AND ENHANCED FLOW STEP SYSTEMS

**EFFLUENT
 OR DEWATERING PUMPS
 SUBMERSIBLE
 1½" NPT DISCHARGE**



Model BN140
 and BN145
 Single Seal
 Pumps



Model 140
 and 145
 Single Seal
 Pumps

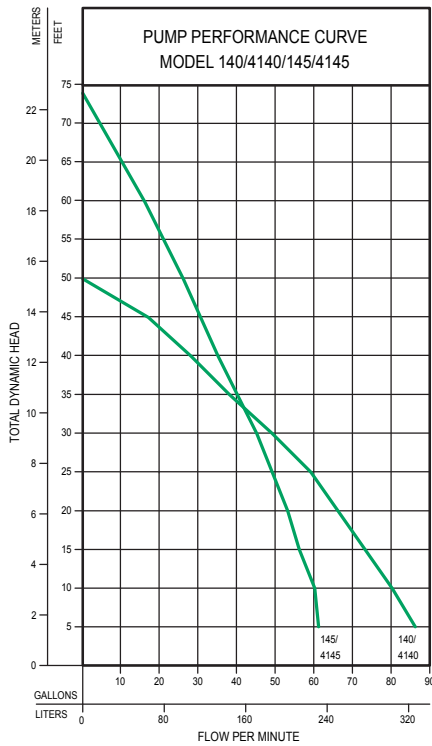


Model 4140
 and 4145
 Double Seal
 Pumps



MODELS AVAILABLE

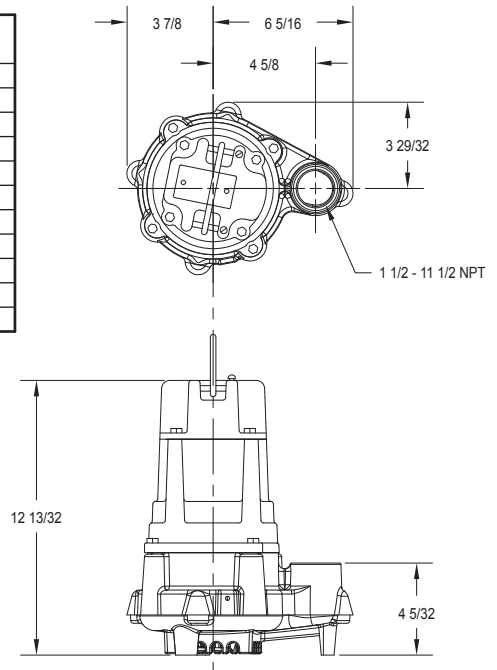
- Automatic (Models BN & BE)
- Nonautomatic
- 1 HP, 1Ph 115V or 230V (140/4140)
- ¾ HP, 1Ph 115V (145/4145)



TOTAL DYNAMIC HEAD/FLOW PER MINUTE EFFLUENT AND DEWATERING

MODEL		140/4140		145/4145	
Feet	Meters	Gal.	Liters	Gal.	Liters
5	1.5	86	326	61	232
10	3.0	80	303	60	228
15	4.6	73	276	56	213
20	6.1	66	250	53	201
25	7.6	59	223	49	186
30	9.1	49	185	45	171
40	12.2	28	106	35	133
50	15.2	--	--	26	99
60	18.3	--	--	16	61
Shut-off Head:		50 ft.(15.2m)		74 ft.(22.6m)	

Single Seal Design
Weight 43 lbs.



CONSULT FACTORY FOR SPECIAL APPLICATIONS

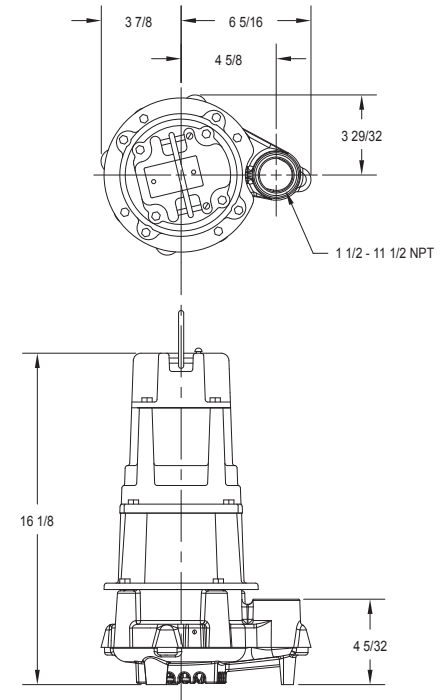
- Electrical alternators, for duplex systems, are available and supplied with an alarm.
- Mechanical alternators, for duplex systems, are available with or without alarms.
- Control alarm systems are available for 1 phase pumps used in simplex system. See FM0732.
- Variable level control switches are available for controlling single phase systems.
- Double piggyback variable level float switches are available for variable level long cycle controls.
- Sealed Qwik-Box available for outdoor installations. See FM1420.
- Refer to FM0806 for applications above 130°F (54°C).

SK1524A

140/4140 & 145/4145 MODELS - SINGLE PHASE					Control Selection	
Model	Model	Volts	Mode	Amps	Simplex	Duplex
N140	N4140	115	Non	12	1 or 2	3
E140	E4140	230	Non	6	1 or 2	3
BN140	BN4140	115	Auto	12	*	---
BE140	BE4140	230	Auto	6	*	---
N145	N4145	115	Non	13	1 or 2	3
E145	E4145	230	Non	6	1 or 2	3
BN145	BN4145	115	Auto	13	*	---
BE145	BE4145	230	Auto	6	*	---

*Single piggyback switch included.

Double Seal Design
Weight 63 lbs.



SELECTION GUIDE

1. For automatic use single piggyback variable level float switch or double piggyback variable level float switch. Refer to FM0477.
2. See FM1228 for correct model of simplex control panel.
3. See FM0712 for correct model of duplex control panel.

CAUTION

All installation of controls, protection devices and wiring should be done by a qualified licensed electrician. All electrical and safety codes should be followed including the most recent National Electric Code (NEC) and the Occupational Safety and Health Act (OSHA).

RESERVE POWERED DESIGN

For unusual conditions a reserve safety factor is engineered into the design of every Zoeller pump.

SK1524B