

Your Peace of Mind is Our Top Priority®

Product information presented here reflects conditions at time of publication. Consult factory regarding discrepancies or inconsistencies.



PUMP COMPANY

Zoeller Family of Water Solutions™

MAIL TO: P.O. BOX 16347 • Louisville, KY 40256-0347
SHIP TO: 3649 Cane Run Road • Louisville, KY 40211-1961
(502) 778-2731 • 1 (800) 928-PUMP • FAX (502) 774-3624

SECTION: 2.20.029

FM2843

0414

Supersedes

New

visit our web site:
www.zoeller.com

COMPARE THESE FEATURES

- 115V single phase/60 Hz, 1/3 HP, 5.5 Amps, 3450 RPM.
- Thermal overload protection.
- Cast-iron motor housing for maximum heat dissipation
- Powder-coated, cast-iron motor housing
- Stainless steel hardware
- Heat-dissipating, oil-filled motor
- Integral vertical mechanical switch.
- Non-clogging vortex impeller, engineered plastic
- UL Listed 9' cord standard with 3-prong plug.
- Maximum temperature for dewatering - 104°F. (40°C.)
- Passes 3/8" spherical solids.
- 1½" NPT discharge.
- On point - 6-1/2" • Off point - 2-1/2"
- Major width - 8-1/8" • Height - 11"

**ALL MODELS ARE
COMPLETELY SUBMERSIBLE
HERMETICALLY SEALED**
Watertight - dust tight.

Model 73
(For Pump Prefix Identification see News & Views 0052)

**“AQUA-MATE”
SUBMERSIBLE PUMP**
FOR
DEWATERING (SUMP)

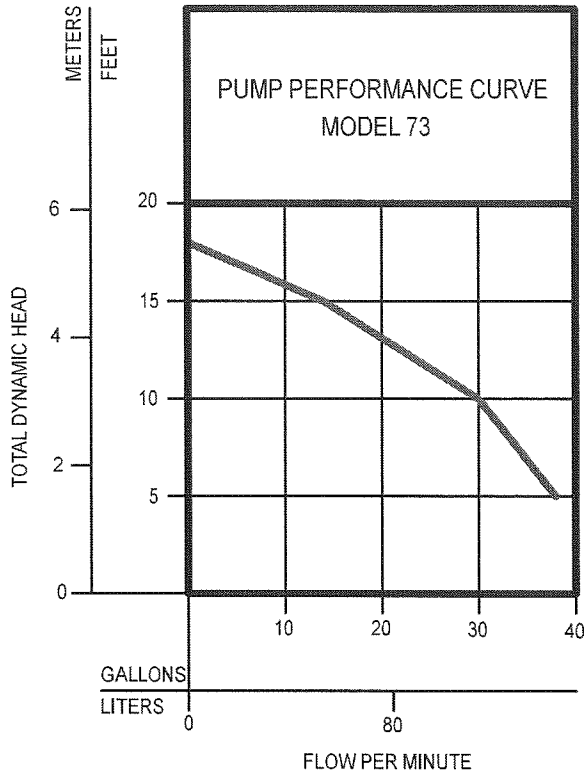
**PASSES 3/8" SPHERICAL SOLIDS
1½" NPT DISCHARGE**

 **US**
C
Tested to UL Standard UL778 &
Certified to CSA Standard
C22.2 No. 108

 **POWDER
COATED
TOUGH™**

**AUTOMATIC
MODEL**



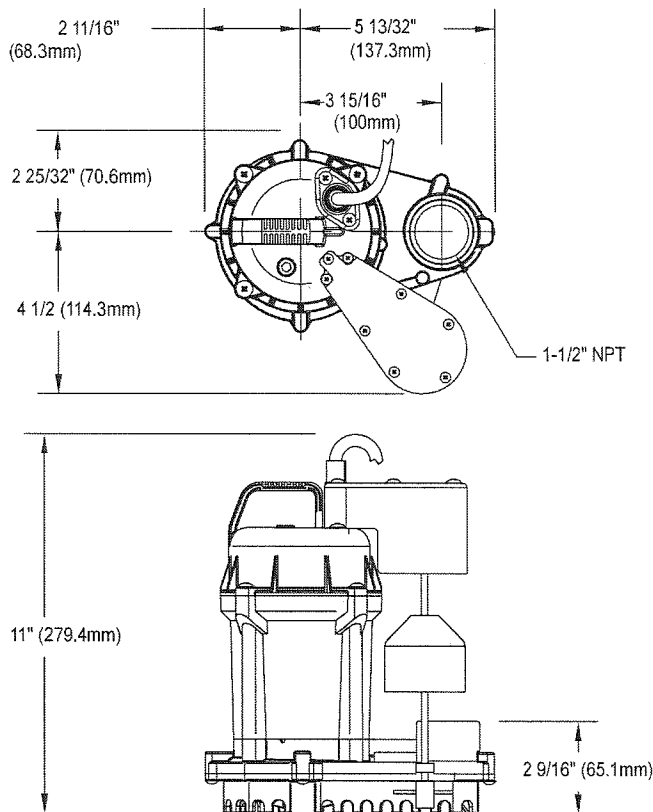


**TOTAL DYNAMIC HEAD/FLOW
PER MINUTE
DEWATERING ONLY**

MODEL		73	
Feet	Meters	Gal.	Liters
5	1.5	38	144
10	3.0	30	114
15	4.6	14	53
Shut-off Head:		18 ft. (5.5 m)	

153077

153077



SK3021

**CONSULT FACTORY
FOR SPECIAL APPLICATIONS**

- Alarm and alternator systems available.

"Easy assembly"
(pump & discharge pipe not included.)

OPTIONAL PUMP STAND P/N 10-2421

- Reduces potential clogging by debris.
- Replaces rocks or bricks under the pump.
- Made of durable, noncorrosive ABS.
- Raises pump 2" off bottom of basin.
- Provides the ability to raise intake by adding sections of 1½" or 2" PVC piping.
- Attaches securely to pump.
- Accommodates sump, dewatering and effluent applications.

NOTE: Make sure float is free from obstruction.

For information on additional Zoeller products refer to catalog on Electrical Alternator, FM0486; Mechanical Alternator, FM0495; Sump/Sewage Basins, FM0487; Single Phase Simplex Pump Control/Alarm Systems, FM0732; Residential Alternator System, FM1063.

CAUTION

All installation of controls, protection devices and wiring should be done by a qualified licensed electrician. All electrical and safety codes should be followed including the most recent National Electric Code (NEC) and the Occupational Safety and Health Act (OSHA).