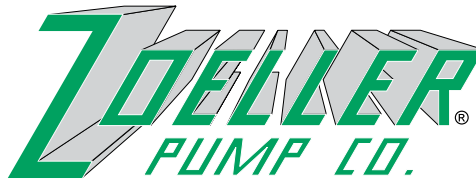


"QUALITY PUMPS SINCE 1939"

Product information presented here reflects conditions at time of publication. Consult factory regarding discrepancies or inconsistencies.



SECTION: 2.30.070

FM1591

0207

Supersedes

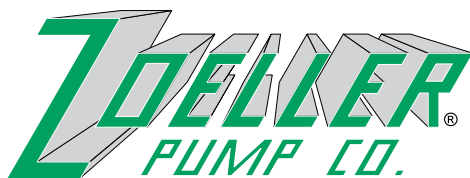
0206

MAIL TO: P.O. BOX 16347 • Louisville, KY 40256-0347  
SHIP TO: 3649 Cane Run Road • Louisville, KY 40211-1961  
(502) 778-2731 • 1 (800) 928-PUMP • FAX (502) 774-3624

visit our web site:  
[www.zoeller.com](http://www.zoeller.com)

### COMPARE THESE FEATURES

- Non-Clogging semi-open ductile iron impeller.
- Class 30 cast iron construction.
- Ductile iron semi-open impeller.
- All units are double seal for extra motor protection.
- Corrosion resistant powder coated epoxy finish.
- Stainless steel screws, washers, tag and seal assembly.
- 25 foot UL Listed power cord. Extra cord lengths available in 35 and 50 feet.
- Single phase - 230V capacitor start, capacitor run.
- Three Phase - 200-230-460-575 Volt.
- Motor - 60 Hz, 1750 RPM, oil-filled, hermetically sealed with heavy duty finned motor housing for added heat dissipation.
- Continuous duty operation in submerged conditions.
- Maximum temperature for sewage or dewatering 104°F (40°C) with 1.2 service factor (1.0 service factor on Model 661).
- 416 stainless steel motor shaft.
- Tandem shaft seals - stainless steel fitted, carbon/ceramic seal faces.
- Oversized upper & lower ball bearings running in an oil bath.
- Buna-n square rings and seals used throughout.
- All models pass 2½" spherical solids.
- Specify 3" NPT vertical, 3" horizontal flanged or 4" horizontal flanged discharge.
- 100% computerized tested.
- Major width 17 9/16". Height 29 1/4".
- Rail systems available for all models.
- Control panels with overload protection available.



Manufacturers of . . .

"QUALITY PUMPS SINCE 1939"

## 600 SERIES

<b>611</b>	<b>621</b>	<b>631</b>	<b>641</b>	<b>651</b>	<b>661</b>
1.0 HP	1.5 HP	2.0 HP	3.0 HP	5.0 HP	7.5 HP

(For Pump Prefix Identification see News & Views 0052)

## "SEWAGE-WASTE"

SUBMERSIBLE

SEWAGE OR DEWATERING NON-CLOG PUMP

Submersible Wastewater  
Pump Association



3" & 4" Horizontal Discharge



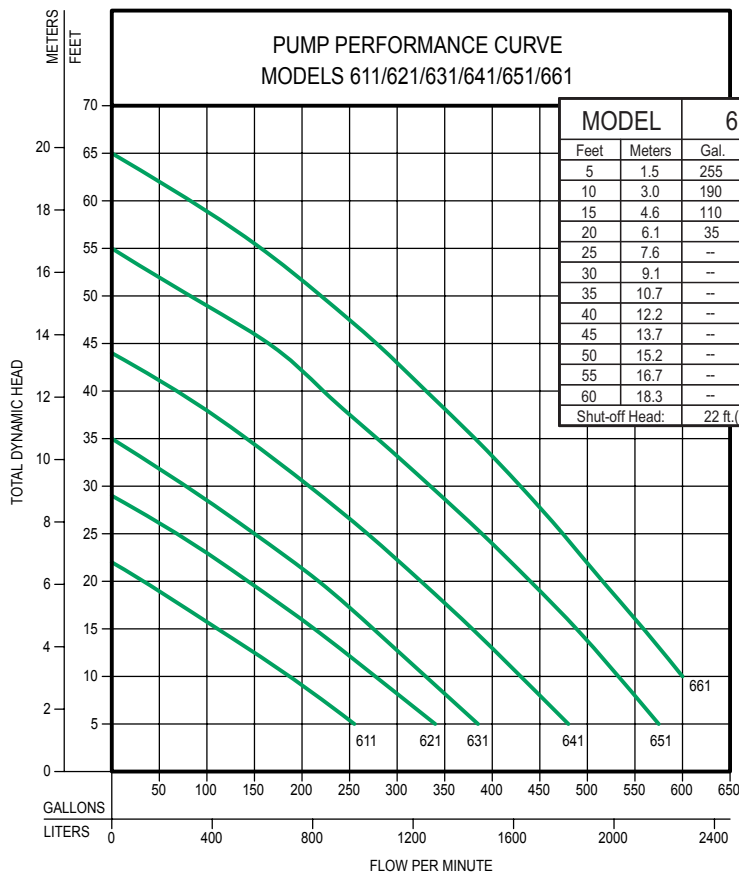
3" Vertical Discharge



### MODELS AVAILABLE

- Nonautomatic (For variable level control systems).
- Double seal only.
- 3" Vertical, 3" Horizontal or 4" Horizontal flanged discharge.
- 230V/1 Phase or 200/230/460/575V/3 Phase.





MODEL		611		621		631		641		651		661	
Feet	Meters	Gal.	Liters	Gal.	Liters	Gal.	Liters	Gal.	Liters	Gal.	Liters	Gal.	Liters
5	1.5	255	965	340	1287	385	1457	480	1816	575	2176	--	--
10	3.0	190	719	277	1048	330	1249	430	1627	533	2017	600	2271
15	4.6	110	416	215	813	275	1040	380	1438	490	1854	560	2119
20	6.1	35	132	143	541	220	832	325	1230	440	1665	515	1949
25	7.6	--	--	72	272	150	567	270	1022	390	1476	475	1798
30	9.1	--	--	--	--	80	302	208	787	335	1268	430	1627
35	10.7	--	--	--	--	--	--	143	541	280	1059	383	1449
40	12.2	--	--	--	--	--	--	72	272	220	832	330	1249
45	13.7	--	--	--	--	--	--	--	--	150	568	280	1059
50	15.2	--	--	--	--	--	--	--	--	80	302	220	832
55	16.7	--	--	--	--	--	--	--	--	--	--	150	568
60	18.3	--	--	--	--	--	--	--	--	--	--	85	321
Shut-off Head:		22 ft.(6.7m)		29 ft.(8.8m)		35 ft.(10.7m)		44 ft.(13.4m)		55 ft.(16.8m)		65 ft.(19.8m)	

013859B

013859A

**Standard all models - 25 ft. cord - 1.0 HP**

611 Models	Volts	Phase	Mode	Amps
*E611	230	1	Nonauto	6.9
J611	200	3	Nonauto	4.3
F611	230	3	Nonauto	3.7
G611	460	3	Nonauto	1.9
BA611	575	3	Nonauto	1.6

**Standard all models - 25 ft. cord - 3.0 HP**

641 Models	Volts	Phase	Mode	Amps
*E641	230	1	Nonauto	17.0
J641	200	3	Nonauto	11.0
F641	230	3	Nonauto	9.6
G641	460	3	Nonauto	4.8
BA641	575	3	Nonauto	3.9

**Standard all models - 25 ft. cord - 1.5 HP**

621 Models	Volts	Phase	Mode	Amps
*E621	230	1	Nonauto	8.9
J621	200	3	Nonauto	5.9
F621	230	3	Nonauto	5.1
G621	460	3	Nonauto	2.6
BA621	575	3	Nonauto	2.0

**Standard all models - 25 ft. cord - 5.0 HP**

651 Models	Volts	Phase	Mode	Amps
*E651	230	1	Nonauto	28.0
J651	200	3	Nonauto	17.5
F651	230	3	Nonauto	15.2
G651	460	3	Nonauto	7.6
BA651	575	3	Nonauto	6.1

**Standard all models - 25 ft. cord - 2.0 HP**

631 Models	Volts	Phase	Mode	Amps
*E631	230	1	Nonauto	12.0
J631	200	3	Nonauto	7.8
F631	230	3	Nonauto	6.8
G631	460	3	Nonauto	3.4
BA631	575	3	Nonauto	2.7

**Standard all models - 25 ft. cord - 7.5 HP**

661 Models	Volts	Phase	Mode	Amps
J661	200	3	Nonauto	25.3
F661	230	3	Nonauto	22.0
G661	460	3	Nonauto	11.0
BA661	575	3	Nonauto	9.0

\*All single phase units require external starting capacity and relay circuits.

For information on additional Zoeller products refer to catalog on Variable Control Switches, FM0526; Piggyback Variable Level Float Switches, FM0477; Electrical Alternator, FM0486; Mechanical Alternator, FM0495; Sump/Sewage Basins, FM0487; Alarm System, FM0732; Simplex Controls, FM1596; Rail Systems, FM0787; and Junction Boxes FM1597.

**CAUTION**

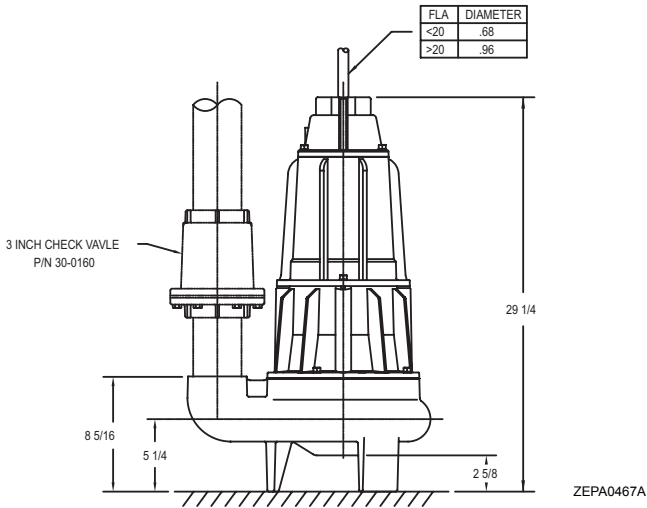
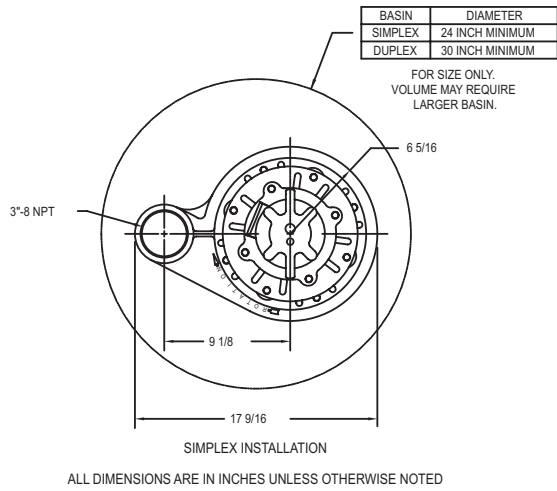
All installation of controls, protection devices and wiring should be done by a qualified licensed electrician. All electrical and safety codes should be followed including the most recent National Electrical Code (NEC) and the Occupational Safety and Health Act (OSHA).

**RESERVE POWERED DESIGN**

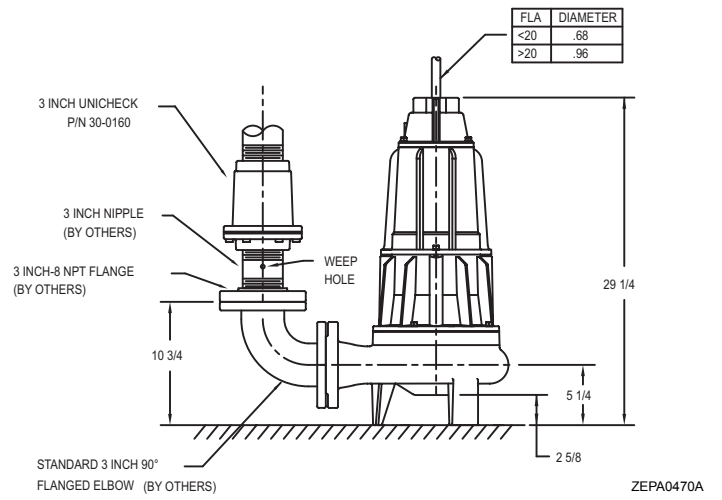
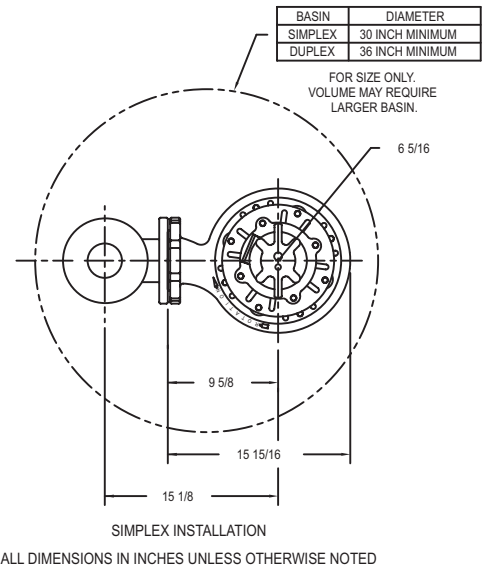
For unusual conditions a reserve safety factor is engineered into the design of every Zoeller pump.

© Copyright 2007 Zoeller Co. All rights reserved.

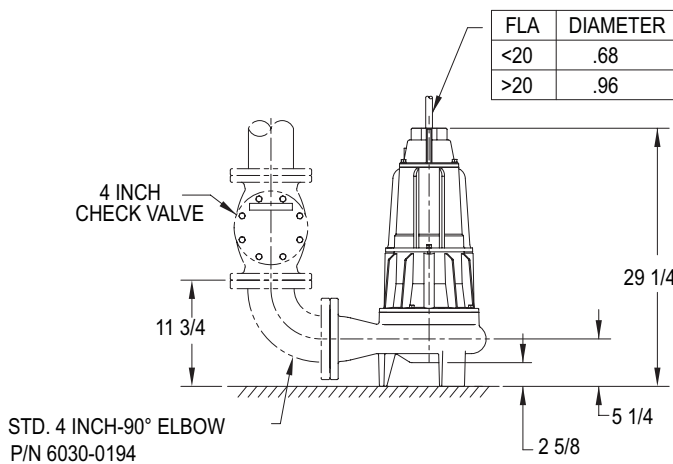
**3" Vertical Discharge**  
Weight 245 lbs.



**3" Flanged Discharge**  
Weight 245 lbs.

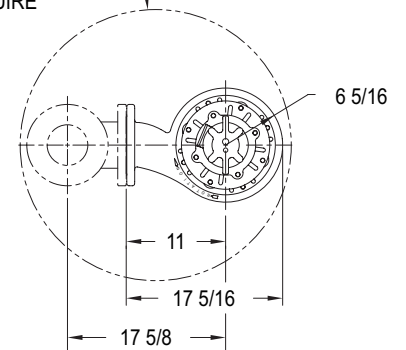


**4" Horizontal Discharge**  
Weight 245 lbs.



BASIN	DIAMETER
SIMPLEX	30 INCH MINIMUM
DUPLEX	48 INCH MINIMUM

FOR SIZE ONLY. VOLUME MAY REQUIRE LARGER BASIN.

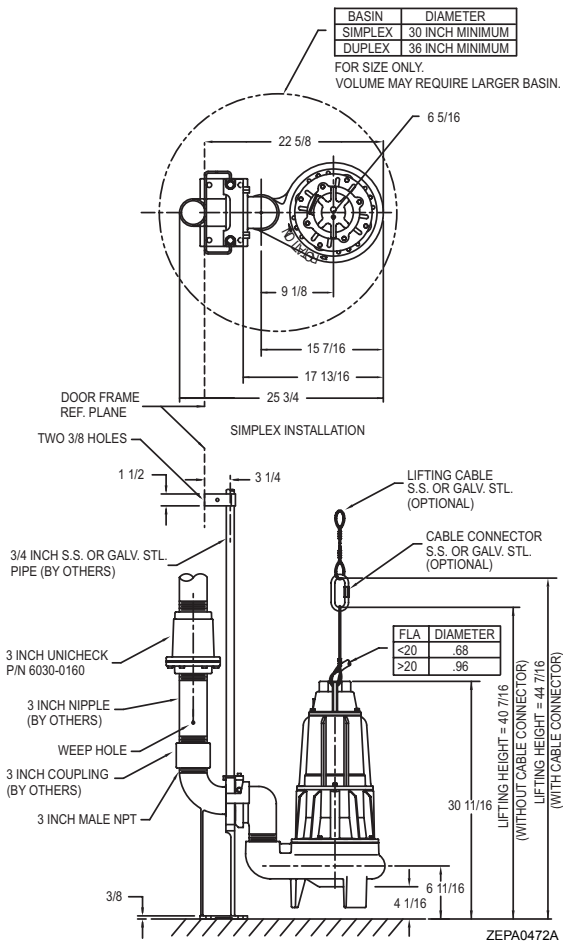


SIMPLEX INSTALLATION

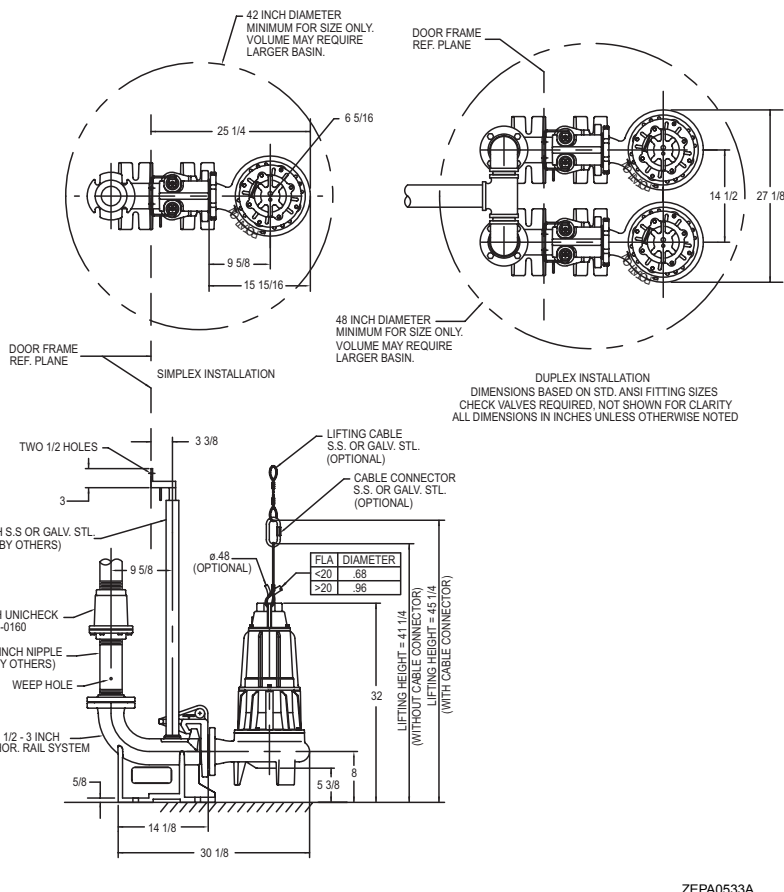
ZEPA0468A

# RAIL SYSTEM DIMENSIONAL DATA

## 3" Vertical 39-0074 & 39-0075



## 3" Horizontal 39-0094



## 4" Horizontal 39-0016

