

Product information presented here reflects conditions at time of publication. Consult factory regarding discrepancies or inconsistencies.

PUMP COMPANY

Zoeller Family of Water Solutions™

MAIL TO: P.O. BOX 16347 • Louisville, KY 40256-0347
 SHIP TO: 3649 Cane Run Road • Louisville, KY 40211-1961
 (502) 778-2731 • 1 (800) 928-PUMP • FAX (502) 774-3624

visit our web site:
www.zoeller.com

COMPARE THESE FEATURES


- Non-clogging vortex impeller design. Bronze class C89833
- Durable cast construction. Cast iron switch case, base, motor and pump housing. No sheet metal parts to rust or corrode. All cast iron class 30 30,000# tensile strength
- Stainless steel screws, bolts, float rod, handle, guard, arm and seal assembly
- 20' UL listed 3-wire neoprene cord and plug. Extra cord lengths available in 25'-35'-50' lengths only.
- 3 phase models available
- Motor - 60 Hz, 3450 RPM, oil-filled, hermetically sealed, automatic reset, thermal overload protected (1 Ph only)
- Maximum temperature for sewage or dewatering 130°F (54°C), 120°F (49°C) for WD295. If over 130°F, consult factory.
- Shaft seal - stainless steel carbon & ceramic rotary
- Corrosion resistant powder coated epoxy finish
- Upper & lower ball bearings running in bath of oil
- Square ring & gasket - neoprene
- All models pass 2" spherical solids
- Major width 12-7/8" • Height 19-5/16" (single seal)
- Automatic units available with float operated, submersible 2-pole mechanical switch. On point 15-3/4" - Off point 5-1/4"
- Specify 2" or 3" NPT female flanged vertical discharge.
- 100% computerized testing

MODELS 4292-4293-4294-4295 DOUBLE SEAL PUMPS (nonautomatic only)

- Gives motor extra protection from seal leaks
- Improved bearing lubrication
- Helps eliminate seal and bearing damage from dry runs
- Major width 12-7/8" Height 21-3/16"

Note: The sizing of effluent systems normally requires variable level float(s) controls and properly sized basins to achieve required pumping cycles or dosing timers with nonautomatic pumps.

292 - 293 - 294 - 295 Single Seal Series
4292 - 4293 - 4294 - 4295 Double Seal Series
 (For Pump Prefix Identification see News & Views 0052)



Certified to CSA
Standard C22.2 No.108

HIGH HEAD
"WASTE-MATE"
 SUBMERSIBLE
SEWAGE
 OR DEWATERING PUMP





Tested to UL
Standard UL778



Nonautomatic models for variable level systems




POWDER COATED TOUGH™



Double Seal Pump

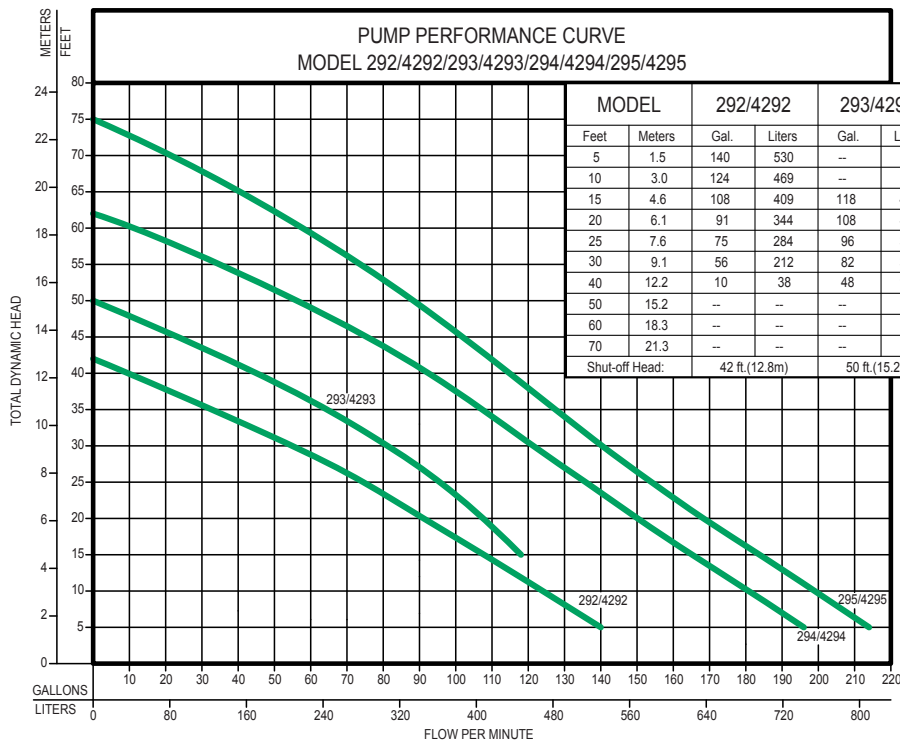
Automatic units available in single phase 292, 293, 294 & 295 series



WD295 controlled by variable level float switch



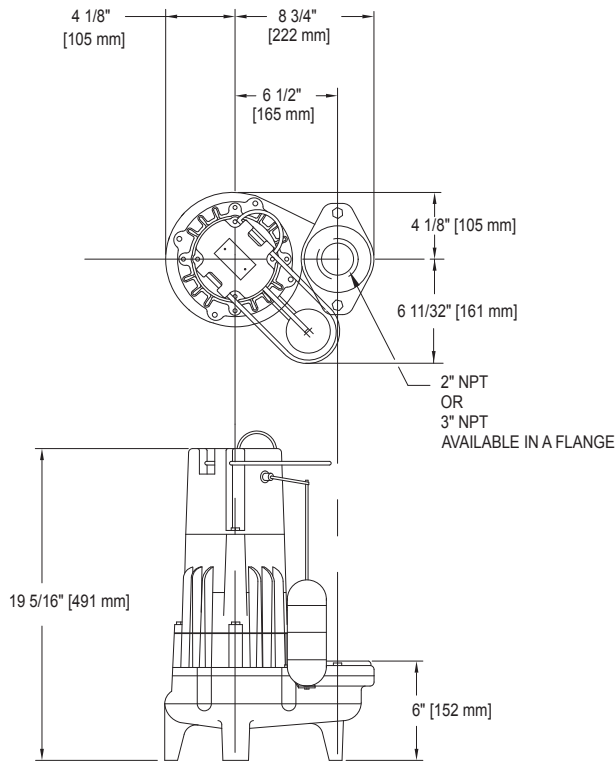
*See back page for UL & CSA listings



009919B

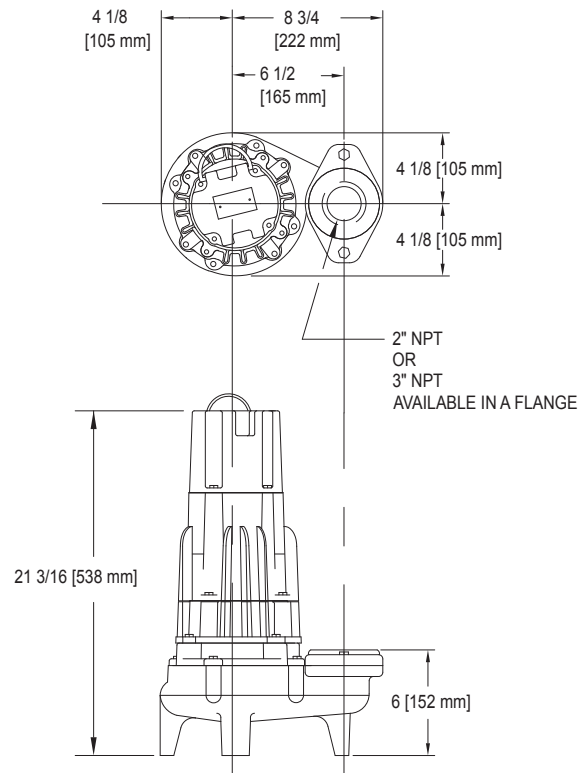
CAUTION
Model 293 should not be subjected to less than 15' TDH.

Single Seal Auto Design Weight 86-89 lbs.



SK863

Double Seal Design / Weight 92-95 lbs.



SK1415

SELECTION GUIDE

1. Integral float operated mechanical switch, no external control required.
2. For automatic use single piggyback variable level float switch or double piggyback variable level float switch. Refer to FM0477.
3. See FM1228 for correct model of simplex control panel.
4. See FM0712 for correct model of duplex control panel.

CAUTION

All installation of controls, protection devices and wiring should be done by a qualified licensed electrician. All electrical and safety codes should be followed including the most recent National Electrical Code (NEC) and the Occupational Safety and Health Act (OSHA).

For information on additional Zoeller products refer to catalog on explosion-proof models, FM1702; Simplex controls, FM1596; Piggyback Variable Level Float Switches, FM0477; Electrical Alternator, FM0486; Mechanical Alternator, FM0495; Sump/Sewage Basins, FM0487; Alarm Systems, FM0732; Disconnect/Rail Systems, FM0787; and Junction Boxes FM1597.

292 MODELS		4292 MODELS		Standard all models - 20 ft. cord - ½ HP				Control Selection		Listings	
Single Seal	Double Seal	Volts	Ph	Mode	Amps	Simplex	Duplex	cCSAus	UL		
M292	--	115	1	Auto	15.0	1	--	Y	Y ⁽¹⁾		
N292	N4292	115	1	Non	15.0	2 or 3	2 or 4	Y	Y ⁽¹⁾		
D292	--	230	1	Auto	7.5	1	--	Y	N		
E292	E4292	230	1	Non	7.5	2 or 3	4	Y	N		
* H292	--	200	1	Auto	8.8	1	--	Y	N		
* I292	* I4292	200	1	Non	8.8	2 or 3	4	Y	N		
* F292	* F4292	230	3	Non	5.2	3	4	Y	N		
* J292	* J4292	200	3	Non	6.4	3	4	Y	N		
* G292	* G4292	460	3	Non	2.9	3	4	Y	N		
* BA292	* BA4292	575	3	Non	2.4	3	4	Y	N		

293 MODELS		4293 MODELS		Standard all models - 20 ft. cord - 1 HP				Control Selection		Listings	
Single Seal	Double Seal	Volts	Ph	Mode	Amps	Simplex	Duplex	cCSAus	UL		
D293	--	230	1	Auto	10.2	1	--	Y	Y		
E293	E4293	230	1	Non	10.2	2 or 3	4	Y	Y		
* H293	--	200	1	Auto	12.0	1	--	Y	N		
I293	I4293	200	1	Non	12.0	2 or 3	4	Y	N		
* F293	* F4293	230	3	Non	7.6	3	4	Y	Y		
* J293	* J4293	200	3	Non	8.2	3	4	Y	Y		
* G293	* G4293	460	3	Non	4.0	3	4	Y	Y		
* BA293	--	575	3	Non	3.3	3	4	Y	N		

294 MODELS		4294 MODELS		Standard all models -20 ft. cord -1½ HP				Control Selection		Listings	
Single Seal	Double Seal	Volts	Ph	Mode	Amps	Simplex	Duplex	cCSAus	UL		
D294	--	230	1	Auto	13.7	1	--	Y	Y ⁽¹⁾		
E294	E4294	230	1	Non	13.7	2 or 3	4	Y	Y ⁽¹⁾		
* H294	--	200	1	Auto	17.8	1	--	Y	N		
* I294	* I4294	200	1	Non	17.8	2 or 3	4	Y	N		
* F294	* F4294	230	3	Non	9.5	3	4	Y	Y		
* J294	* J4294	200	3	Non	10.8	3	4	Y	Y		
* G294	* G4294	460	3	Non	4.8	3	4	Y	Y		
* BA294	--	575	3	Non	3.8	3	4	Y	N		

295 MODELS		4295 MODELS		Standard all models - 20 ft. cord - 2 HP				Control Selection		Listings	
Single Seal	Double Seal	Volts	Ph	Mode	Amps	Simplex	Duplex	cCSAus	UL		
D295	--	230	1	Auto	17.1	1	--	Y ⁽²⁾	Y		
E295	E4295	230	1	Non	17.1	2 or 3	4	Y ⁽²⁾	Y		
WD295	--	230	1	Auto	17.1	**	4	Y	N		
* H295	--	200	1	Auto	20.5	1	--	Y	N		
* I295	* I4295	200	1	Non	20.5	2 or 3	4	Y	N		
* F295	* F4295	230	3	Non	12.2	3	4	Y	Y		
* J295	* J4295	200	3	Non	14.3	3	4	Y	Y		
* G295	* G4295	460	3	Non	6.1	3	4	Y	Y		
* BA295	--	575	3	Non	4.9	3	4	Y	N		

* No molded plug

** Single piggyback switch included

(1) UL listed unit available with 20 amp plug

(2) CSA approval with 20 amp plug



PUMP COMPANY

MAIL TO: P.O. BOX 16347 • Louisville, KY 40256-0347
SHIP TO: 3649 Cane Run Road • Louisville, KY 40211-1961
(502) 778-2731 • 1 (800) 928-PUMP • FAX (502) 774-3624

Your Peace of Mind is Our Top Priority®

visit our web site:
www.zoeller.com