

**CGa - Gold Series Gas Boiler  
Weil-McLain**

Water,  
Natural Draft  
NAT'L or LP  
MBH: 52-245  
Avg. Efficiency: 83%



- ▶ **HIGH EFFICIENCY**
- ▶ **EASY TO INSTALL AND SERVICE**
- ▶ **MADE WITH WEIL-McLAIN QUALITY**

**APPLICATIONS INCLUDE:**

Residential  
Light Commercial  
Multiple Boilers  
Indirect-fired Water Heating  
Radiant Heating  
*... And Much More*



**WEIL-McLAIN**

[www.weil-mclain.com](http://www.weil-mclain.com)





| Model (1) | Input MBH (2) | DOE Heating Capacity MBH (2) | Net I=B=R Water Ratings MBH (3) | DOE Seasonal Efficiency Percent (AFUE) |      |      | Approx. Shipping Weight (Lbs) | Boiler Water Content (Gal.) | Chimney Size  |
|-----------|---------------|------------------------------|---------------------------------|--|------|------|-------------------------------|-----------------------------|---------------|
|           |               |                              |                                 | SPDN                                   | SPDL | PIDN |                               |                             |               |
| CGa-25    | 52            | 44                           | 38                              | 81.5                                   | 83.3 | 84.0 | 200                           | 1.5                         | 4" I.D. x 20' |
| CGa-3     | 70            | 59                           | 51                              | 81.6                                   | 83.7 | 84.0 | 200                           | 1.5                         | 4" I.D. x 20' |
| CGa-4     | 105           | 88                           | 77                              | 81.7                                   | 83.7 | 84.0 | 240                           | 2.1                         | 5" I.D. x 20' |
| CGa-5     | 140           | 117                          | 102                             | 81.8                                   | 83.7 | 83.5 | 280                           | 2.7                         | 6" I.D. x 20' |
| CGa-6     | 175           | 146                          | 127                             | 81.9                                   | 83.6 | 83.2 | 325                           | 3.3                         | 6" I.D. x 20' |
| CGa-7     | 210           | 175                          | 152                             | 82.0                                   | 83.6 | 83.0 | 370                           | 3.8                         | 7" I.D. x 20' |
| CGa-8     | 245           | 204                          | 177                             | 82.1                                   | 83.6 | 82.7 | 425                           | 4.4                         | 7" I.D. x 20' |

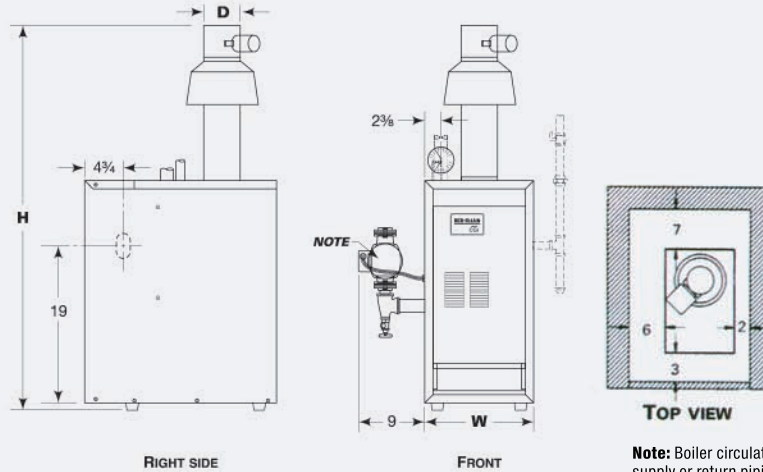
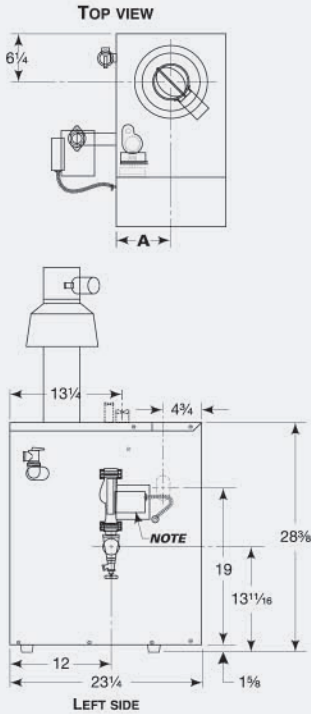
**Notes:**

- (1) Add "SPD" for boiler with standing pilot; "PID" for boiler with electronic ignition system. For SPD models, add "N" for natural gas, "L" for propane (propane not available for PID).
- (2) Based on standard test procedures prescribed by the United States Department of Energy.
- (3) Net I=B=R ratings are based on net installed radiation of sufficient quantity for the requirements of the building and nothing needs to be added for normal piping and pick-up. Ratings are based on a piping and pick-up allowance of 1.15. An additional allowance should be made for unusual piping and pick-up loads. CGa boilers are C.S.A. design certified for installation on combustible flooring. Tested for 50 psi working pressure.

**Dimensions**

| Model  | Dimensions Inches |   |    |        | Supply Piping In. (1) | Return Piping In. (1) | Nat or LP Gas Connection Size Inches | Crate Dimensions (Outside Measurements - In.) |        |        |
|--------|-------------------|---|----|--------|-----------------------|-----------------------|--------------------------------------|---|--------|--------|
|        | A                 | D | W  | H      |                       |                       |                                      | Length  | Width  | Height |
| CGa-25 | 5                 | 4 | 10 | 45 3/8 | 3/4                   | 3/4                   | 1/2                                  | 27  | 27 1/2 | 31 1/2 |
| CGa-3  | 5                 | 4 | 10 | 52 3/8 | 1                     | 1                     | 1/2                                  | 27  | 27 1/2 | 31 1/2 |
| CGa-4  | 6 1/2             | 5 | 13 | 54 3/8 | 1                     | 1                     | 1/2                                  | 27  | 27 1/2 | 31 1/2 |
| CGa-5  | 8                 | 6 | 16 | 57 7/8 | 1                     | 1                     | 1/2                                  | 30  | 27 1/2 | 31 1/2 |
| CGa-6  | 9 1/2             | 6 | 19 | 60 7/8 | 1 1/4                 | 1 1/4                 | 1/2                                  | 33  | 27 1/2 | 31 1/2 |
| CGa-7  | 11                | 7 | 22 | 62 1/8 | 1 1/4                 | 1 1/4                 | 3/4                                  | 36  | 27 1/2 | 31 1/2 |
| CGa-8  | 12 1/2            | 7 | 25 | 64 7/8 | 1 1/2                 | 1 1/2                 | 3/4                                  | 42  | 27 1/2 | 31 1/2 |

- Notes:** (1) Circulator flange supplied with boiler is same size as recommended pipe size. For supply and return boiler tapping size, see installation manual.



**Note:** Boiler circulator is shipped loose. Circulator may be mounted on either boiler supply or return piping. See dimension chart for pipe size of circulator flange provided.

**Standard and Additional Equipment**

**Standard Equipment:**

- Factory Tested
- Two-Piece Top Jacket Panel
- Insulated Extended Steel Jacket
- Cast Iron Sections with Built-in Air Separator
- Radiation Plates
- Vertical Draft Hood
- Automatic Vent Damper
- Combination Gas Valve for 24 Volt
- Wiring Harness
- Non-Linting Pilot Burner
- Stainless Steel Burners
- Electrical Junction Box
- Rollout Thermal Fuse Element
- High-Limit Temperature Control
- Circulator (when ordered)
- Spill Switch

- 30 PSI ASME Relief Valve (boiler sections tested for 50 PSI working pressure)
- Combination Pressure-Temperature Gauge
- Drain Valve
- HIGH EFFICIENCY MODEL - SPD**
- Constant Burning, Thermally-Supervised Pilot System
- Thermocouple
- Combination Relay Receptacle and 40VA Transformer
- Plug-in Circulator Relay
- HIGHEST EFFICIENCY MODEL - PID**
- Integrated Boiler Control Module with Intermittent Electronic Ignition System & Indicator/Diagnostic Lights
- 40 VA Transformer
- Plug-in Connector and Wiring

**Additional Equipment:**

- Taco 007 Circulator
- Expansion Tank Package (expansion tank, fill & check valve, auto air vent and fittings): #109-sizes 25 thru 5; #110-sizes 6 thru 8. Shipped in separate carton.
- W-M 5 & 10 Year Homeowner Protection Plan
- W-M Indirect-fired Water Heaters
- W-M Maxiflo® Pool Heaters
- W-M Baseboard Units



In the interest of continual improvements in product and performance, Weil-McLain reserves the right to change specifications without notice.