

For Residential and Commercial Applications

Job Name _____

Contractor _____

Job Location _____

Approval _____

Engineer _____

Contractor's P.O. No. _____

Approval _____

Representative _____

SunStat™ Relay II

120 or 240 VAC

The SunStat Relay is designed to control the voltage to SunTouch® Mat, WarmWire®, UnderFloor™, and SlabHeat™ resistive floor heating systems that require more than 15 amps.

Up to 10 SunStat Relays may be connected to one SunStat View or SunStat Pro II Thermostat, allowing areas as large as 1650 sq. ft on 120 VAC systems and 3300 sq. ft. on 240 VAC to be controlled by a single controller.

Each SunStat Relay does require connection to its own 20-amp circuit and individual circuit breaker.

Specifications

Description	Property
Operation Voltage	120/240 VAC, 50/60 Hz
Maximum Load	15 amps, resistive
Maximum Power	1800 watts at 120VAC 3600 watts at 240VAC
GFCI	Class A (5 milliamp trip)
Storage Temp	0 °F to 120 °F (-17 °C to 49 °C)

Features

- Dual Voltage: 120 and 240 VAC
- Built-in 15-amp Relays
- Built-in GFCI (5 milliamp trip)
- Connects directly to SunStat View or SunStat Pro II Thermostat
- Manual On/Off Switch

⚠ CAUTION

Before continuing, make sure the power supply voltage matches the voltage rating of the floor warming system. Connecting 240V to a 120V floor warming system will cause overheating and damage to the system and may damage the control, other wiring, floor coverings, etc.

⚠ CAUTION

This Engineering Sheet is not intended to provide full installation instructions and safety information. In order to avoid property damage or injury, please refer to the complete installation manual and product safety information provided with the product.



SunStat Relay II

Installation Parameters

- Determine the SunStat location:
 - Indoor use only.
 - Insulated or uninsulated walls.
 - Locate the SunStat Relays approximately 5 feet above the floor on an inside wall.
 - Install an appropriate sized electrical box (see SunStat Installation Manual).
 - Prepare the Wiring
 - Turn off the power at the main circuit panel before doing any electrical work.
 - A qualified electrician should install a properly sized circuit breaker.
 - A qualified electrician should run dedicated wiring for SunStat.
- Note: Never exceed 15 amps on the SunStat Relay.**
- Pull supply power wiring into box, leaving about 6 inches of wire.
 - Pull the signal wire from SunStat Thermostat or other SunStat Relay into the box. If additional relays are to be connected, pull signal wire to be connected to next relay into box as well.
 - Remove the SunStat Relay face and connect wires (for wiring details see schematics on reverse)
 - Install SunStat in electrical box and re-install face.

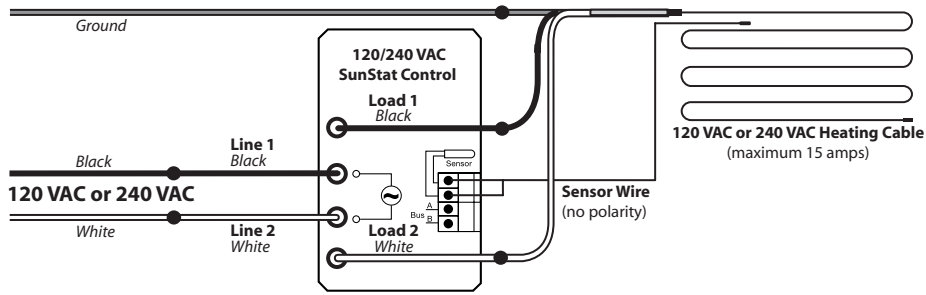
Note: For detailed instructions, refer to the specific system installation manual.

✓	Description	Model #	Order #
	SunStat Relay	500810-BB	81014983

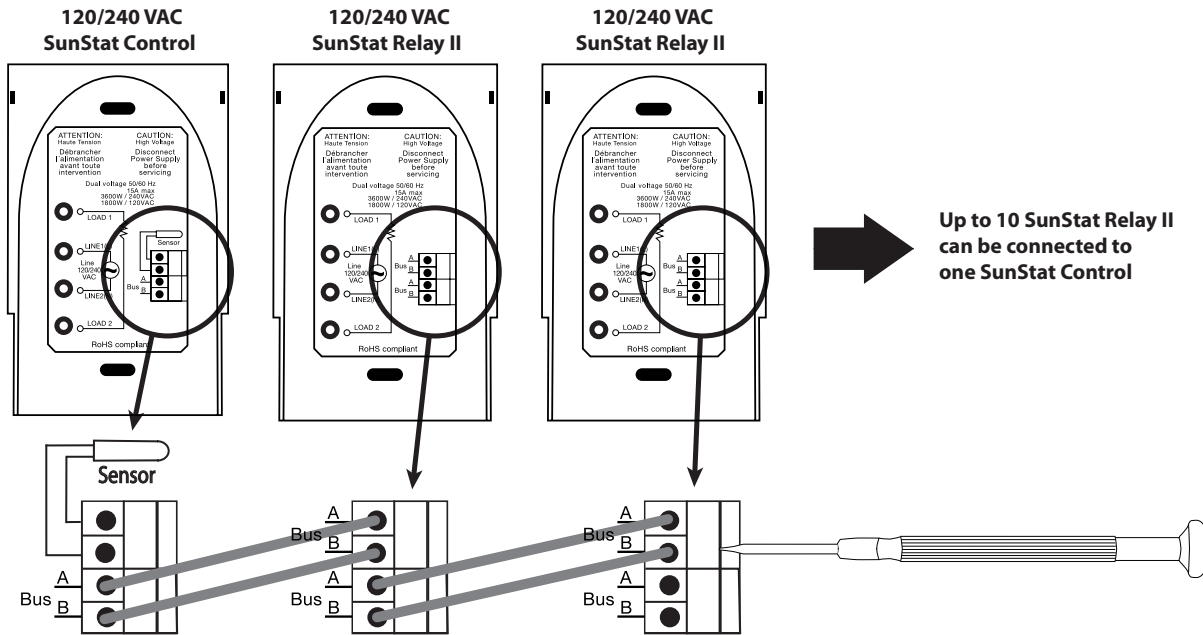
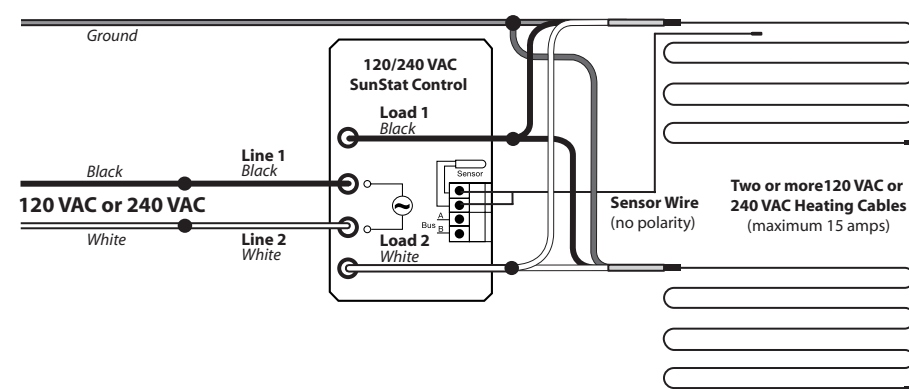
 **SunTouch**
Electric Floor Heating & Snow Melting

Watts Radiant product specifications in U.S. customary units and metric are approximate and are provided for reference only. For precise measurements, please contact Watts Radiant Technical Service. Watts Radiant reserves the right to change or modify product design, construction, specifications, or materials without prior notice and without incurring any obligation to make such changes and modifications on Watts Radiant products previously or subsequently sold.

Electrical Wiring Diagram for Cable with SunStat Control (120/240VAC)
 Dedicated 120 or 240VAC, 20-amp (maximum) circuit (maximum 15 amp load through SunStat control).



Electrical Wiring Diagram for Multiple Cables with SunStat Control (120/240VAC)
 Dedicated 120 or 240VAC, 20-amp (maximum) circuit (maximum 15 amp load through SunStat control).



A Watts Water Technologies Company

USA: Springfield, MO • Tel. (800) 276-2419 • Fax: (417) 864-8161 • www.suntouch.com
 Canada: Burlington, ONT. • Tel. (905) 332-4090 • Fax: (905) 332-7068 • www.suntouch.com