

For Liquid and Steam Service

Job Name _____

Contractor _____

Job Location _____

Approval _____

Engineer _____

Contractor's P.O. No. _____

Approval _____

Representative _____

Series 777S, S777S

Wye-Pattern Bronze Strainers

Sizes: 1/2" – 4" (15-100mm)

Series 777S, S777S Wye-Pattern Bronze Strainers are designed to protect system components from dirt, rust and other damaging debris in the piping system. This series features a retainer cap tapped for closure plug.

Features

- Bronze body
- Wye-pattern
- Retainer cap tapped for closure plug

Models

777S – 1/2" – 4" (15 – 100mm) threaded connections

S777S – 1/2" – 2" (15 – 50mm) solder connections

Specifications

A wye-pattern bronze strainer to be installed as indicated on the plans. The strainer must have retainer cap tapped for closure plug. Strainer shall be rated to 400psi (27.6 bar) WOG @ 210°F (99°C); 125psi (8.6 bar) WSP @ 353°F (178°F) for sizes 1/2" – 3" (15 – 75mm) and 300psi (20.7 bar) WOG @ 210°F (99°C); 125psi (8.6 bar) @ 353°F (178°C) for size 4" (100mm). Strainer shall be a Watts Regulator Company Series 777S (threaded ends) or S777S (solder ends).

Materials

Body:	Bronze
Retainer Cap:	1/2" (15mm): Brass 3/4" – 4" (20-100): Bronze
Cap Gasket:	1/2" – 2" (15-50mm): EPDM Other sizes consult factory
Standard Screen:	1/2" – 2 1/2" (15-65mm): 304 stainless steel #20 mesh, 3" (75mm): 3/64" (1.2mm) 304 stainless steel perforated screen 4" (100mm): 1/8" (3mm) 304 stainless steel perforated screen



777S



S777S

BAA/ARRA Compliant*

*This product complies with the Buy American Act and The American Recovery and Reinvestment Act. For more information, visit watts.com.

Pressure – Temperature

Maximum Working Pressure:

1/2" – 3" (15-75mm)

400psi (27.6 bar) WOG @ 210°F (99°C)

125psi (8.6 bar) WSP @ 353°F (178°F)

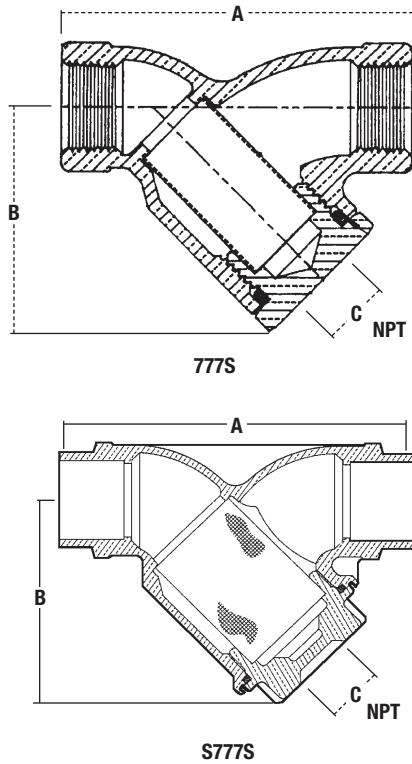
4" (100mm)

300psi (20.7 bar) WOG @ 210°F (99°C)

125psi (8.6 bar) WSP @ 353°F (178°F)

Watts product specifications in U.S. customary units and metric are approximate and are provided for reference only. For precise measurements, please contact Watts Technical Service. Watts reserves the right to change or modify product design, construction, specifications, or materials without prior notice and without incurring any obligation to make such changes and modifications on Watts products previously or subsequently sold.

Dimensions — Weights



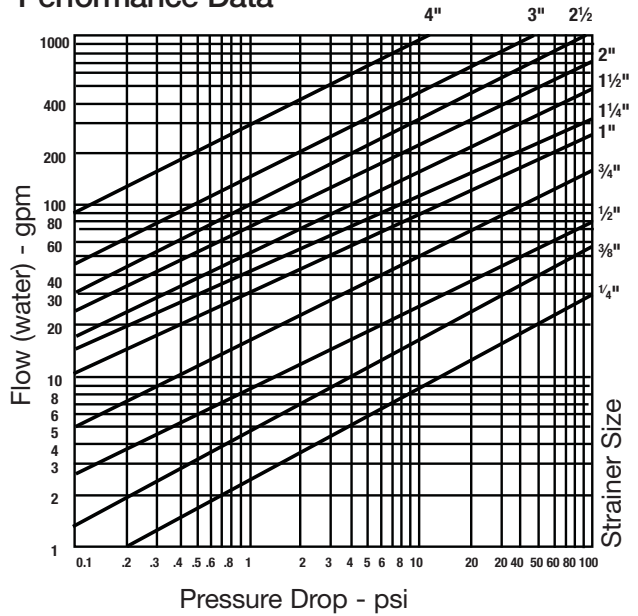
Screen Options

304 Stainless Steel Wire Mesh Liners: (#30, #40, #60, #80, #100)

304 Stainless Steel Perforated Screens: (1/32", 3/64", 1/16", 1/8", 3/16", 1/4")

Consult factory for ordering codes

Performance Data



777S

SIZE (DN)		DIMENSIONS						WEIGHT	
in.	mm	A		B		C (NPT)		lbs.	kgs.
		in.	mm	in.	mm	in.	mm		
1/4	8	2 11/16	68	1 11/16	43	3/8	10	1.7	0.77
3/8	10	2 11/16	68	1 11/16	43	3/8	10	1.7	0.77
1/2	15	3	76	2	51	3/8	10	1.7	0.77
3/4	20	3 5/16	84	2 5/16	59	1/2	15	1.7	0.77
1	25	4 1/2	114	2 5/16	59	3/4	20	2.7	1.22
1 1/4	32	5 1/8	130	3 1/8	79	3/4	20	3.0	1.36
1 1/2	40	5 7/8	149	3 3/4	95	1	25	4.0	1.81
2	50	6 3/16	157	4 7/8	124	1 1/4	32	7.4	3.36
2 1/2	65	8 1/8	206	4 15/16	125	1 1/4	32	12.0	5.44
3	75	10 1/8	257	6 1 1/16	170	1 1/2	40	24.0	10.90
4	100	13	325	10 1/2	267	1 1/2	40	41.0	18.60

S777S

SIZE (DN)		DIMENSIONS						WEIGHT	
in.	mm	A		B		C (NPT)		lbs.	kgs.
		in.	mm	in.	mm	in.	mm		
1/2	15	3 3/8	86	2 1/16	52	3/8	10	1.5	0.68
3/4	20	3 3/4	95	2 9/16	65	1/2	15	1.6	0.73
1	25	5	127	3	76	3/4	20	2.5	1.13
1 1/4	32	5 5/8	143	3 1/4	82	3/4	20	2.8	1.25
1 1/2	40	6 7/16	164	3 13/16	97	1	25	4.0	1.81
2	50	7 1/2	191	4 5/8	118	1 1/4	32	7.4	3.39



A Watts Water Technologies Company



USA: No. Andover, MA • Tel. (978) 688-1811 • Fax: (978) 794-1848 • www.watts.com
 Canada: Burlington, ONT. • Tel. (905) 332-4090 • Fax: (905) 332-7068 • www.wattscanada.ca