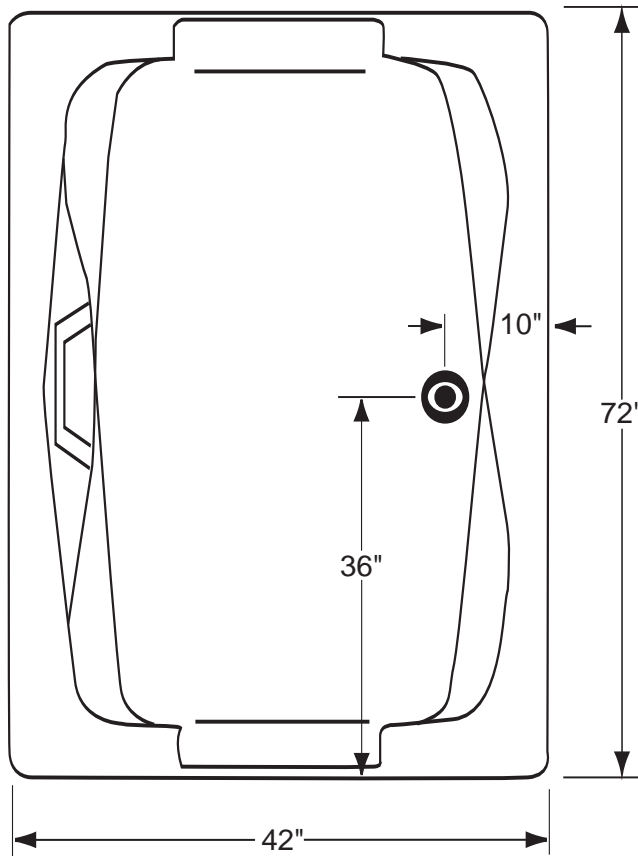


Installation Notes for WR 942, WR 942 AT, WR 942 SP BATHING MODULES



6' STEEPING WHIRLPOOL BATH



INSTALLATION NOTES

1. Inspect framed-in area for proper size, square, and plumb.
2. The frame should allow 1" of the tub to extend over it all the way around, i.e. 942 SP = 72"x42" frame I.D. should be 70"x40".
3. It is not necessary to support the bottom of your warm rain unit.
4. Caulk seam to insure no movement of tub after installation.
5. After installation, clean module with warm water and liquid detergent. Paints and other materials can be easily removed without damage to the unit by the use of turpentine, paint thinner, or acetone.
6. Any scratches or dull areas in unit may be removed with automotive type rubbing compound.

Available with factory installed flange.

FOR MODEL WR 942 SP
normal operating capacity approx. 50 gal.

NOTE
ALL DIMENSIONS
MAY VARY
± 1/4"