

INSTALLATION NOTES

Warm Rain

WR 920 • WR 920 AT • WR 920 SP BATHING MODULES

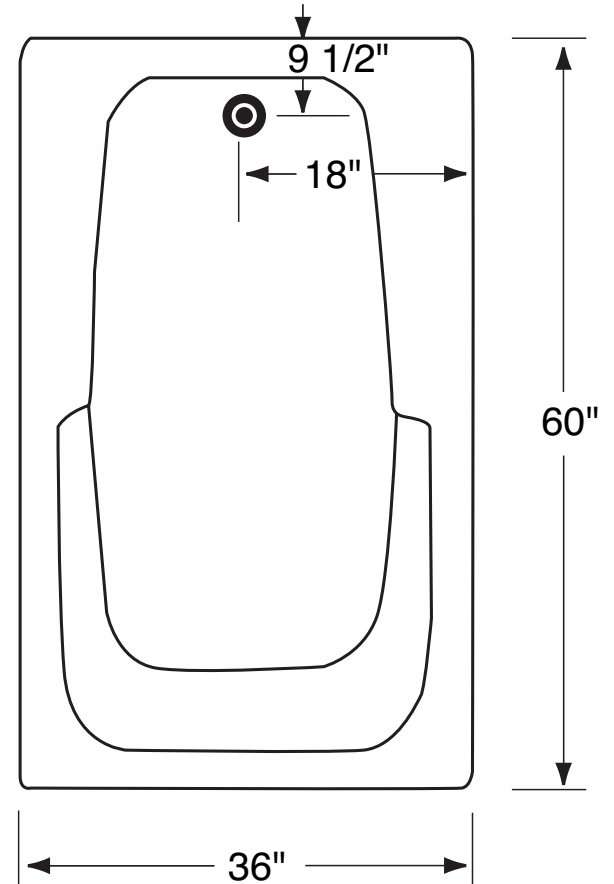
INSTALLATION NOTES

1. Inspect framed-in area for proper size, level, square, and plumb.
2. The frame should allow 1" of the tub to extend over it all the way around, i.e. 920 SP = 60" x 36" frame I.D. should be 58" x 34".
3. It is not necessary to support the bottom of your warm rain unit.
4. Caulk seam to insure no movement of tub after installation.
5. After installation, clean module with warm water and liquid detergent. Paints and other materials can be easily removed without damage to the unit by the use of turpentine, paint thinner, or acetone.
6. Any scratches or dull areas in unit may be removed with automotive type rubbing compound.

This deep rim-mounted whirlpool unit surrounds you with an invigorating five-jet water massage. Design features include comfort back and arm rests.

FOR MODEL WR 920 SP
normal operating capacity approx. 35 gal.

5' STEEPING WHIRLPOOL BATH



NOTE
ALL DIMENSIONS
MAY VARY
± 1/4"

WARM RAIN

P.O. Box 600 • 51675 N. Industrial Drive • Hancock, MI 49930

Voice: 906-482-3750 • Fax: 906-482-2585 • Email: tedk@warmrain.com • www.warmrain.com