



WR 3939

ADA-Compliant Transfer Shower



BUILDING CODES MET & EXCEEDED

- Federal ADA 2010 Standards for Accessible Design for Transfer Showers
- ICC/ ANSI A117.1-2003
- ICC A117.1-2009
- ANSI Z124.1.2 - 2005
- ASTM F-462 (Slip Resistance)
- ASTM E-84 Class "C" Rating
- Class "B" rating available
- HUD's UM Bulletin # 73a and 73b
- UFAS & ABA
- ASTM D-2583 (Barcol Hardness)

SPECIFICATIONS

Warm Rain Model WR 3939 bath fixtures are constructed of reinforced polyester resin covered with a high gloss sanitary-grade gelcoat of 18-20 mil. thickness. The reinforced fiberglass includes a minimum content of 18% fiberglass.

The bottom base of the unit is constructed of 1/2" end-grained balsa wood sandwiched between 2 layers of reinforced fiberglass at a content no less than 18%. The base is an integral part of the unit.

The outside dimensions of this unit will measure 39" L x 39.5" W x 77.5" H.

The inside dimension of the unit will be 36" L x 36" W as measured at the centerline of the unit in accordance with the ADAAG/ANSI guidelines. The bottom floor is a textured bottom floor.

STANDARD PACKAGES

WR 3939-A

Model includes Grab Bars

The grab bars will be factory installed, the grab bars will be 1.5" outside diameter ADA compliant stainless steel bars. One 24" grab bar on the wet wall will be placed 34.5" above the floor. One 24" vertical grab bar will be placed 4" above the horizontal bar and 4" from the front of the unit on the wet wall. One 24" grab bar on the back wall will be placed 34.5" above the floor. One 24" grab bar will be placed opposite the wet wall at 34.5" above the floor.

WR 3939-B

Model includes Grab Bars & Fold-up Seat

One 24" grab bar on the wet wall will be placed 34.5" above the floor. One 24" vertical grab bar will be placed 4" above the horizontal bar and 4" from the front of the unit on the wet wall. One 24" grab bar on the back wall will be placed 34.5" above the floor. The ADA compliant seat will be factory installed. The seat will support a minimum of 250 lbs. The seat will be placed on the side wall opposite the controls 18" above the floor. The seat is a rectangular white phenolic ADA compliant seat.

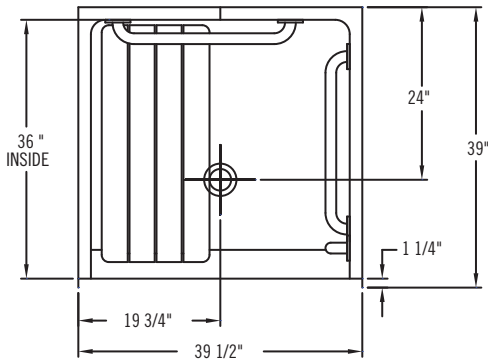
WR 3939-C

Model includes Grab Bars, Fold-Up Seat, Pressure Balance Valve, Hand held Shower with Slide Bar, Vacuum Breaker, & Curtain Rod with Hangers

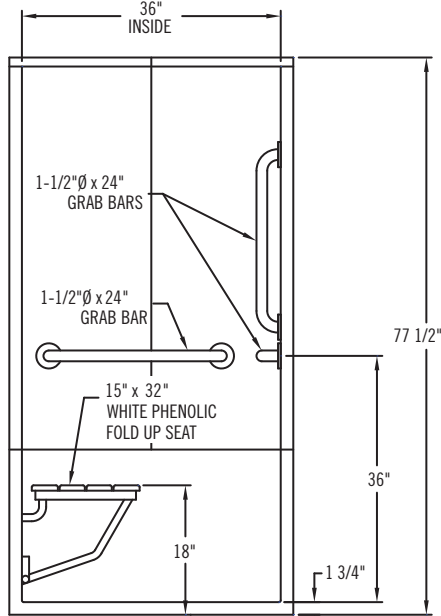
One 24" grab bar on the wet wall will be placed 34.5" above the floor. One 24" vertical grab bar will be placed 4" above the horizontal bar and 4" from the front of the unit on the wet wall. One 24" grab bar on the back wall will be placed 34.5" above the floor. The ADA compliant seat will be factory installed. The seat will support a minimum of 250 lbs. The seat will be placed on the side wall opposite the controls 18" above the floor. The seat is a rectangular white phenolic ADA compliant seat. One Symmons Allural Valve & Kit model # S4700-T-300B-30-V-X will include a Allura S4700 pressure balance valve with integral service stops, hand held shower with 30" bar, Vacuum breaker. Also, one Seachrome 5' curtain rod with hangers and Oatey solid brass drain model # 42150 will be included.

WR 3939

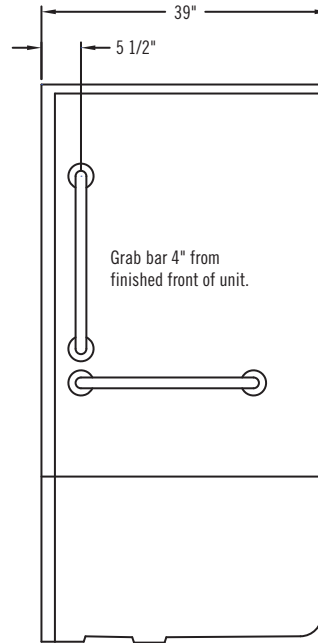
ADA Compliant
1 3/4" Outside Threshold Shower



TOP



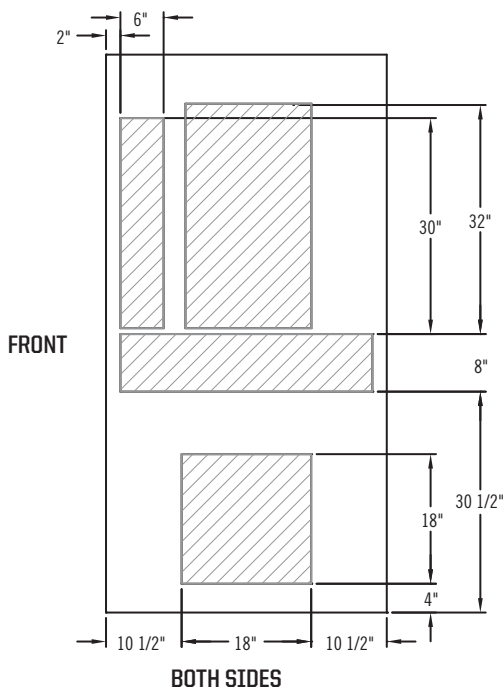
FRONT



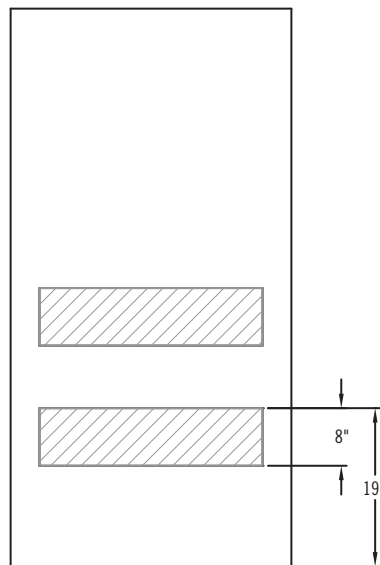
SIDE

REINFORCEMENTS

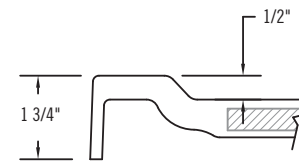
1/2" plywood completely encased by FRP for field installation of grab bars and fold-up seat



BOTH SIDES



BACK



1 3/4" OUTSIDE THRESHOLD

