



FW 48

Friendly™ Shower



BUILDING CODES MET & EXCEEDED

- 1991 Fair Housing Act
- ANSI Z124.1.2 - 2005
- ASTM E-F-462 (Slip Resistance)
- ASTM E-84 Class "C" Rating
 - Class "B" rating available
- HUD's UM Bulletin # 73a and 73b
- FmHA
- UFAS & ABA
- ASTM D-2583 (Barcol Hardness)

SPECIFICATIONS

Warm Rain Model FW 48 shower fixtures are constructed of reinforced polyester resin covered with a high gloss sanitary-grade gelcoat of 18-20 mil. thickness. The reinforced fiberglass includes a minimum content of 18% fiberglass.

The bottom base of the unit is constructed of 1/2" end-grained balsa wood sandwiched between two layers of reinforced fiberglass at a content no less than 18%. The base is an integral part of the unit.

The outside dimensions of this unit will measure 48" L x 36" W x 79" H.

The bottom floor is a textured bottom floor.

STANDARD PACKAGES

FW-48-A

Model includes Grab Bars

The grab bars will be factory installed, the grab bars will be 1.5" outside diameter ADA compliant stainless steel bars. One 24" grab bar on the wet wall will be placed 34.5" above the floor. One 24" vertical grab bar will be placed 4" above the horizontal bar and 4" from the front of the unit on the wet wall. One 36" grab bar on the back wall will be placed 34.5" above the floor. One 24" grab bar will be placed opposite the wet wall at 34.5" above the floor.

FW-48-B

Model includes Grab Bars & Fold-up Seat

One 24" grab bar on the wet wall will be placed 34.5" above the floor. One 24" vertical grab bar will be placed 4" above the horizontal bar and 4" from the front of the unit on the wet wall. One 24" grab bar on the back wall will be placed 34.5" above the floor. The ADA compliant seat will be factory installed. The seat will support a minimum of 250 lbs. The seat will be placed on the side wall opposite the controls 18" above the floor. The seat is a rectangular white phenolic ADA compliant seat.

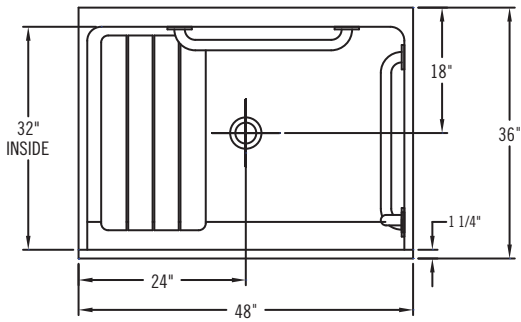
FW-48-C

Model includes Grab Bars, Fold-Up Seat, Pressure Balance Valve, Hand held Shower with Slide Bar, Vacuum Breaker, & Curtain Rod with Hangers

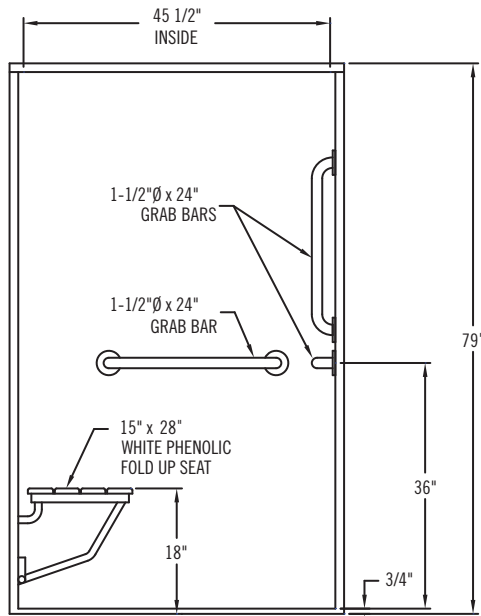
One 24" grab bar on the wet wall will be placed 34.5" above the floor. One 24" vertical grab bar will be placed 4" above the horizontal bar and 4" from the front of the unit on the wet wall. One 24" grab bar on the back wall will be placed 34.5" above the floor. The ADA compliant seat will be factory installed. The seat will support a minimum of 250 lbs. The seat will be placed on the side wall opposite the controls 18" above the floor. The seat is a rectangular white phenolic ADA compliant seat. One Symmons Allura Valve & Kit model # S4700-T-300B-30-V-X will include a Allura S4700 pressure balance valve with integral service stops, hand held shower with 30" bar, Vacuum breaker. Also, one Seachrome 5' curtain rod with hangers and Oatey solid brass drain model # 42150 will be included.

FW 48

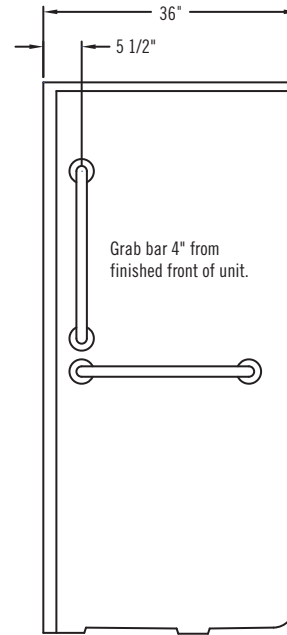
Friendly™ Shower



TOP



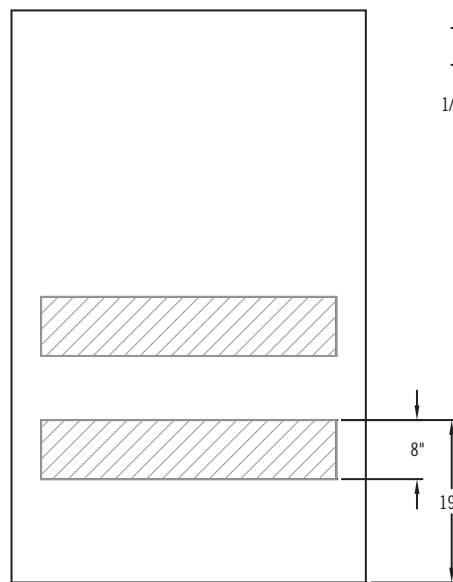
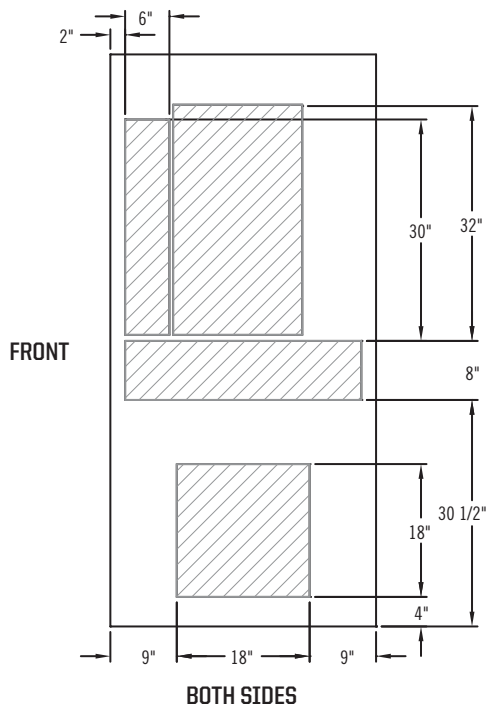
FRONT



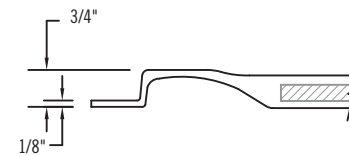
SIDE

REINFORCEMENTS

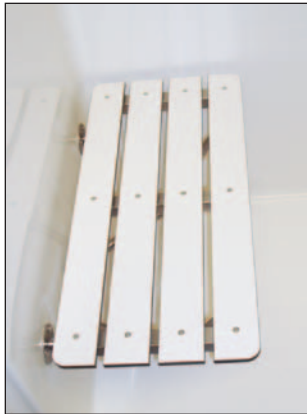
1/2" plywood completely encased by FRP for field installation of grab bars and fold-up seat



3/4" OUTSIDE THRESHOLD



OPTIONS



**Fold-Up Seat
Bench Style**
Standard on all shower models



**Fold-Up Seat
"L" Shape**



**Fold-Up Seat
Tub/Shower Fold-up Seat**

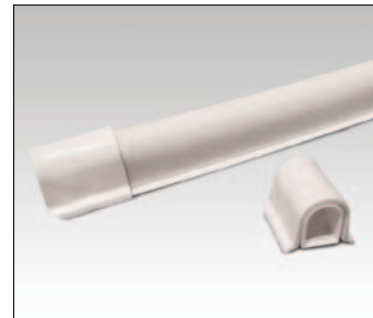
Standard color on all seats is white. Phenolic teakwood and padded seats are also available.



Chrome Soap Dish



Collapsible Dam
3', 4' and 5' lengths • Color: White



End Caps for Collapsible Dam
Color: White



Semi-Permanent Dam
3', 4' and 5' lengths • Color: White



Dome Light
Low Voltage (12V)
Trim Color: White, biscuit, almond/bone, polished brass & chrome



Shower Curtain Rod



Grab Bars
Standard Color: Brushed Stainless Steel
Lengths: 12", 18", 24", 36", 48"
"L" and "U" Shaped - fits WR 3636, WR 6030, FW-48 & FW-483 (3-week lead time suggested)

Color-Coded Grab Bars
Colors: White, Biscuit, Almond/Bone, Polish Brass, Brush Nickel

INSTALLATION NOTES

Warm Rain

FW 48

FRIENDLY™ SHOWERS & TUB/SHOWERS

3/4" Front Thresholds

Door Opening 45 3/8" x 76 1/4"

INSTALLATION NOTES

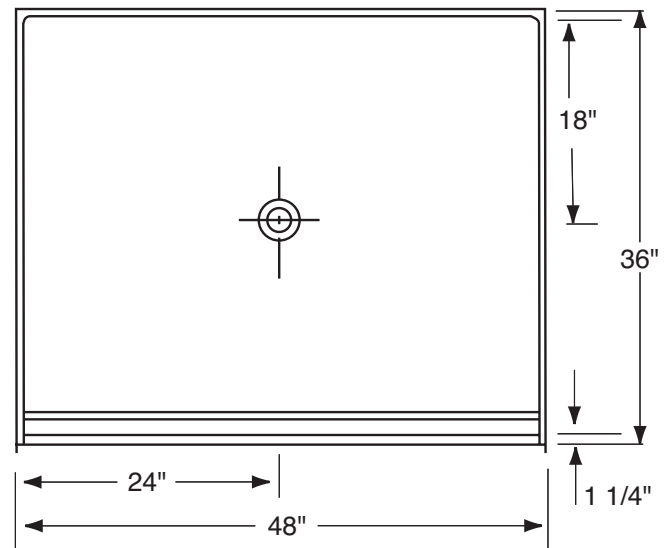
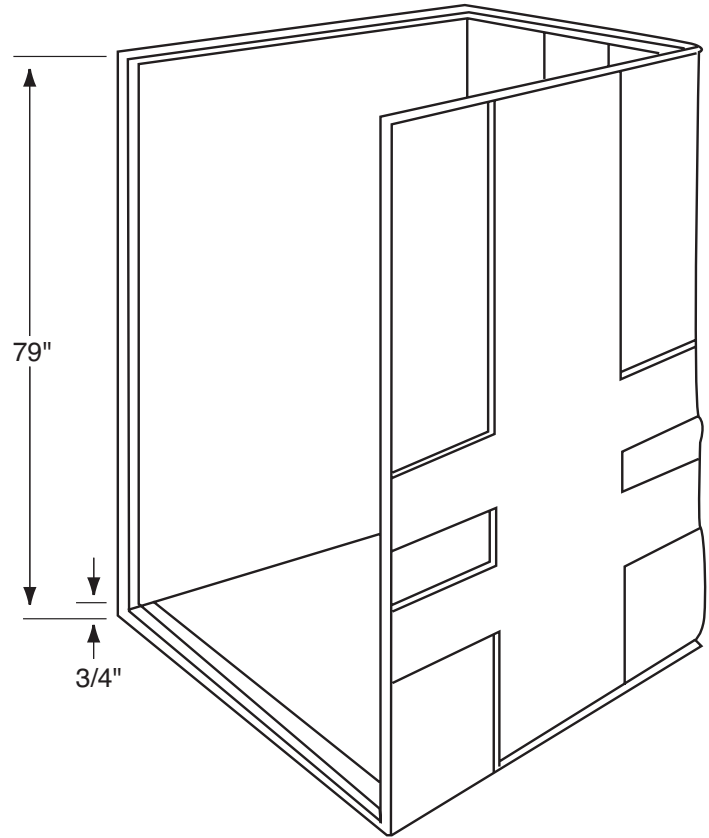
1. Check slab to insure that it is perfectly flat and completely free from all debris. This includes all screws, nuts or any material whatsoever.
2. Inspect framed-in area for proper size, square, plumb and level.
3. A Vapor barrier (Visqueen) must be installed between the slab and the unit.
4. Other than the vapor barrier, nothing is to be used under the unit. For example, NO mortar bedding, adhesive or foam is to be used underneath this unit.
5. Position module in framed pocket. Check to be sure that module is plumb and level. Be sure front nailing flange is down tight to the floor and module walls are touching studs of framed area.
6. Spot nail through the nailing flanges at the lower front corners.
7. Continue to nail, approximately 8" inches on center starting from the bottom and working to the top of the side wall nailing flanges. Nail the top flanges to each stud.
8. Floor Flange must be mechanically attached to the floor.
9. If possible, tighten down drain drawing down the bottom floor.
10. Starting from the finished side, drill or hole-saw plumbing hardware holes. Double check hole locations prior to drilling.
11. Check floor of unit for high spots and slope to drain after installation.

(This unit must be water tested prior to sheet rock installation)

12. After installation, clean module with warm water and a liquid detergent or use any cleaner that labels itself as safe for gelcoat fiberglass fixtures. Paints, purple primer and other materials can be easily removed without damage to the unit by use of turpentine, paint thinner or acetone.
13. Any scratches or dull areas in the unit may be removed with an automotive type rubbing compound.

NOTE TO FLOORING INSTALLER: PREFILL WITH GROUT OR FEATHER-FINISH AREA IN FRONT OF FLOOR FLANGE

NOTE
ALL DIMENSIONS
MAY VARY
± 1/4"



WARM RAIN

P.O. Box 600 • 51675 N. Industrial Drive • Hancock, MI 49930

Voice: 906-482-3750 • Fax: 906-482-2585 • Email: tedk@warmrain.com • www.warmrain.com