

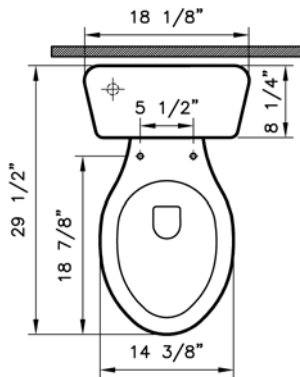
# Atlantis

VitrA

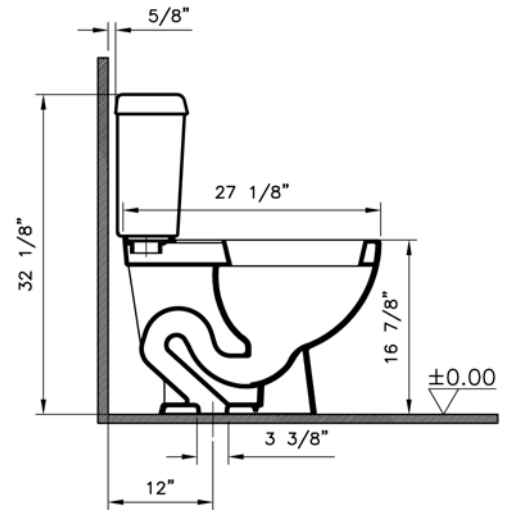


|                                      |   |
|--------------------------------------|---|
| <b>Description</b>                   | : Atlantis Two-piece toilet (ELONGATED bowl) (BOWL ONLY) 1.6 gpf<br>ADA Compliant   |
| <b>Model Numbers</b>                 | : 5052BXXX-0075   |
| <b>Compatible Items</b>              | : 6853BXXX-5347 Tank with white plastic trim lever on left hand side 12" rough in<br>6853BXXX-5348 Tank with chrome plated trim lever on left hand side 12" rough in<br>6853BXXX-5349 Tank with white plastic trim lever on left hand side, styrofoam lined 12" rough in<br>6853BXXX-5350 Tank with chrome plated trim lever on left hand side, styrofoam lined 12" rough in<br>6853BXXX-5351 Tank with white plastic trim lever on right hand side 12" rough in<br>6853BXXX-5352 Tank with chrome plated trim lever on right hand side 12" rough in<br>36-003-002 Toilet Seat (elongated)<br>44-XXX-009 Toilet Seat (elongated) (soft-closing) |
| <b>Water Consumption</b>             | : 1.6 GPF / 6.0 LPF   |
| <b>Water Surface</b>                 | : 8 1/2" x 6 7/8"   |
| <b>Water Depth From Rim Rough in</b> | : 8 7/8"  |
| <b>Minimum Water Pressure</b>        | : 20 psi  |
| <b>Trap Diameter</b>                 | : Fully glazed 2" ball pass trapway with 2 1/8" trap diameter   |
| <b>Trap Seal Depth</b>               | : 2 1/8"  |
| <b>Shipping Weight</b>               | : 5052: 53.5 lbs.<br>6853: 35.2 lbs.  |
| <b>Shipping Dimensions</b>           | : 5052: 15 1/8"W x 29 1/8"L x 18 7/8"H<br>6853: 10"W x 18 7/8"L x 16 7/8"H  |
| <b>Installation Guide</b>            | : Vitra Guide # 312851  |
| <b>Material</b>                      | : Vitreous China  |
| <b>Colors</b>                        | : 003 White<br>017 Bone / 068 Biscuit (Basic colors)<br>"XXX" indicates the color   |
| <b>Standards</b>                     | : ASME A 112.19.2, CSA B45, ADA ICC/ANSI A 117-1, LADWP/SPS   |
| <b>Warranty</b>                      | : 10 year limited warranty  |

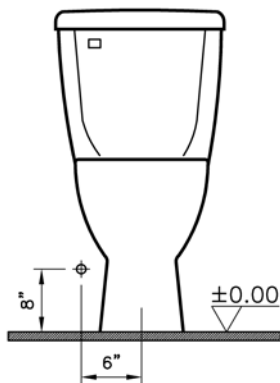
1



2



3



**Notes:**

- DIMENSIONS SHOWN FOR THE LOCATION OF THE SUPPLY IS SUGGESTED.
- INSTALLATION INSTRUCTIONS SUPPLIED WITH THE TOILET.

**IMPORTANT:** Dimensions of fixtures are nominal and may vary within the range of tolerances established by ASME Standard A 112.19.2, CSA Standard B45. These measurements may be subject to change. No responsibility is assumed for the use of superseded or voided pages.

May, 2010