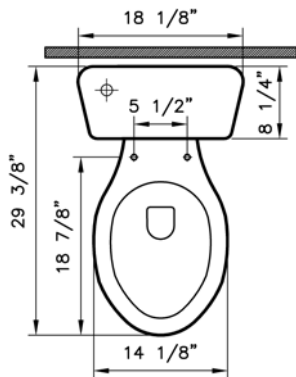


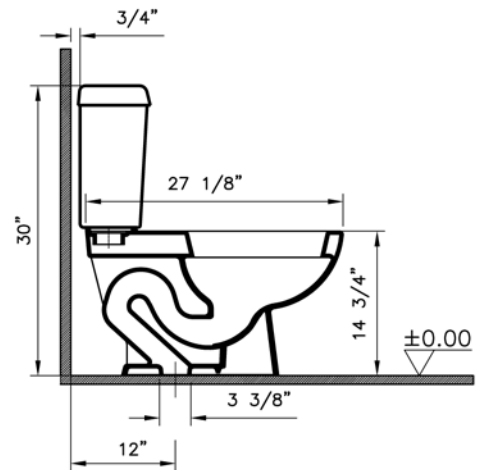


<b>Description</b>	: Atlantis Two-piece toilet (ELONGATED bowl) (BOWL ONLY) 1.6 gpf, ADA Compliant
<b>Model Numbers</b>	: 5051BXXX-0101
<b>Compatible Items</b>	: 6853BXXX-5347 Tank with white plastic trim lever on left hand side 12" rough in 6853BXXX-5348 Tank with chrome plated trim lever on left hand side 12" rough in 6853BXXX-5349 Tank with white plastic trim lever on left hand side, styrofoam lined 12" rough in 6853BXXX-5350 Tank with chrome plated trim lever on left hand side, styrofoam lined 12" rough in 6853BXXX-5351 Tank with white plastic trim lever on right hand side 12" rough in 6853BXXX-5352 Tank with chrome plated trim lever on right hand side 12" rough in 36-003-002 Toilet Seat (available only in white, elongated) 44-XXX-009 Toilet Seat (elongated) (soft-closing)
<b>Water Consumption</b>	: 1.6 GPF / 6.0 LPF
<b>Water Surface</b>	: 8 1/2" x 7 1/4"
<b>Water Depth From Rim</b>	: 6 7/8"
<b>Rough in</b>	: 12"
<b>Minimum Water Pressure</b>	: 20 psi
<b>Trap Diameter</b>	: Fully glazed 2" ball pass trapway with 2 1/8" trap diameter
<b>Trap Seal Depth</b>	: 2 1/8"
<b>Shipping Weight</b>	: 5051: 45.1 lbs. 6853: 35.2 lbs.
<b>Shipping Dimensions</b>	: 5051: 15 3/8"W x 27 1/2"L x 16 1/8"H 6853: 10"W x 18 7/8"L x 16 7/8"H
<b>Installation Guide</b>	: Vitra Guide # 312851
<b>Material</b>	: Vitreous China
<b>Colors</b>	: 003 White 017 Bone / 068 Biscuit (Basic colors) "XXX" indicates the color
<b>Standards</b>	: ASME A 112.19.2, CSA B45, LADWP/SPS
<b>Warranty</b>	: 10 year limited warranty

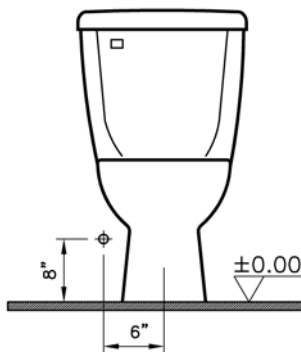
1



2



3



**Notes:**

- DIMENSIONS SHOWN FOR THE LOCATION OF THE SUPPLY IS SUGGESTED.
- INSTALLATION INSTRUCTIONS SUPPLIED WITH THE TOILET.

**IMPORTANT:** Dimensions of fixtures are nominal and may vary within the range of tolerances established by ASME Standard A 112.19.2, CSA Standard B45. These measurements may be subject to change. No responsibility is assumed for the use of superseded or voided pages.