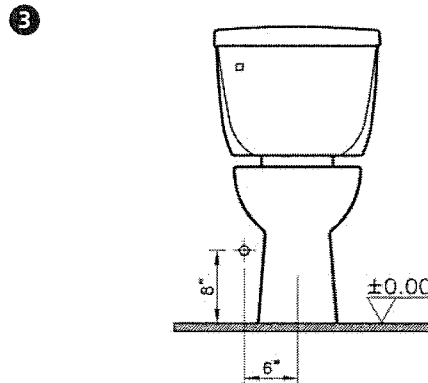
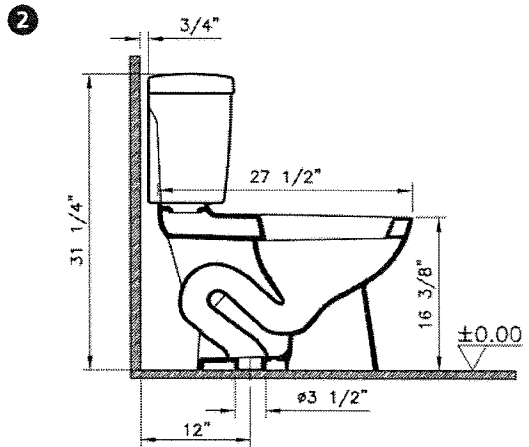
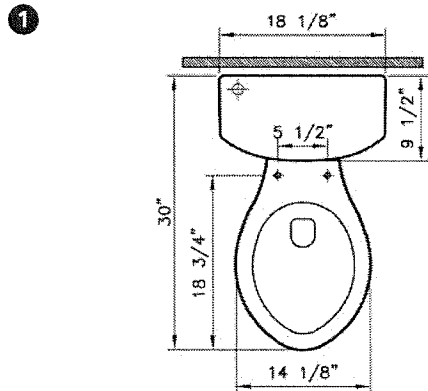




|                                      |   |
|--------------------------------------|---|
| <b>Description</b>                   | : EverGreen Two-piece toilet, 1.2 gpf HET<br>Elongated Bowl, BOWL ONLY, Extended Height, ADA Compliant  |
| <b>Model Numbers</b>                 | : 5195BXXX-0075   |
| <b>Compatible Items</b>              | : 5402BXXX-5332 Tank with polished chrome plated metal lever on left hand side, fluidmaster fill valve 12" rough in<br>5402BXXX-5335 Tank with polished chrome plated metal lever on right hand side, fluidmaster fill valve 12" rough in<br>5402BXXX-5249 Tank with white plastic trim lever on left hand side, fluidmaster fill valve 12" rough in<br>36-003-002 Toilet Seat (elongated)<br>44-XXX-009 Toilet Seat (elongated) (soft-closing) |
| <b>Water Consumption</b>             | : 1.2 GPF / 4.5 LPF   |
| <b>Water Surface</b>                 | : 7 1/2" x 5 3/4"   |
| <b>Water Depth From Rim Rough in</b> | : 7 3/4"  |
| <b>Minimum Water Pressure</b>        | : 20 psi  |
| <b>Trap Diameter</b>                 | : 2" ball pass with 2 1/8" trap diameter  |
| <b>Trap Seal Depth</b>               | : 2 3/8"  |
| <b>Shipping Weight</b>               | : 5195: 49 lbs.<br>5402: 37 lbs.  |
| <b>Shipping Dimensions</b>           | : 5195: 14 1/2"W x 27 3/4"L x 18 1/8"H<br>5402: 10 3/8"W x 19 1/4"L x 15 1/2"H  |
| <b>Installation Guide</b>            | : VitrA Guide # 310790  |
| <b>Included Components</b>           | : Tank fittings, bolt caps<br>(white 310359 / bone biscuit 310306)  |
| <b>Material</b>                      | : Vitreous China  |
| <b>Colors</b>                        | : 003 White<br>017 Bone / 068 Biscuit (Basic colors)<br>"XXX" indicates the color   |
| <b>Standards</b>                     | : Meets the American Disabilities Act Guidelines and ICC/ANSI A117-1 requirements when installed so top of seat is 17" from the finished floor. Recommended seat for ADA requirements: VitrA 36-003-002 ASME A 112.19.2, CSA B45, CMR 248 (State of Massachusetts), ICC/ANSI A 117-1, LADWP/SPS (City of Los Angeles)   |
| <b>Warranty</b>                      | : 10 year limited warranty  |



**Notes:**

- DIMENSIONS SHOWN FOR THE LOCATION OF THE SUPPLY IS SUGGESTED.
- INSTALLATION INSTRUCTIONS SUPPLIED WITH THE TOILET.

**IMPORTANT:** Dimensions of fixtures are nominal and may vary within the range of tolerances established by ASME Standard A 112.19.2, CSA Standard B45. These measurements may be subject to change. No responsibility is assumed for the use of superseded or voided pages.

May, 2010