

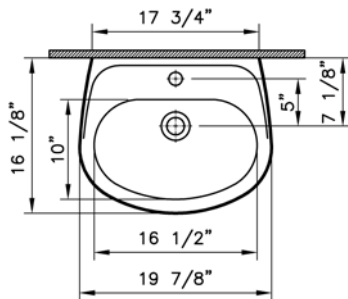
# Commercial Line

VitrA

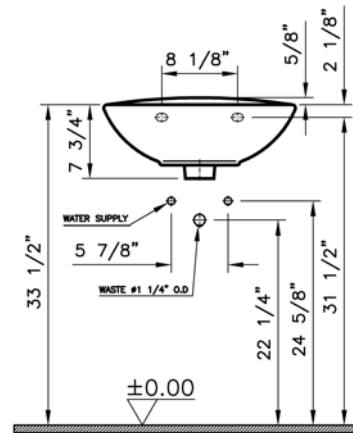


<b>Description</b>	: Normus Pedestal Lavatory
<b>Model Numbers</b>	: 5079BXXX-0999 Single-hole faucet drilling 5079BXXX-0030 4" faucet drilling 5079BXXX-0033 8" faucet drilling
<b>Compatible Items</b>	: 6968BXXX-0156 Pedestal Base 6948BXXX-0162 Trap Cover
<b>Size</b>	: 20" x 16"
<b>Height</b>	: 32 5/8"
<b>Depth</b>	: 5 7/8"
<b>Waste</b>	: Ø1 1/4" O. D.
<b>Shipping Weight</b>	: 5079: 29 lbs. 6968: 19 lbs. 6948: 15 lbs.
<b>Shipping Dimensions</b>	: 5079: 10"W x 21 1/4"L x 18 1/8"H 6968: 7 6/8"W x 7 6/8"L x 28 1/8"H 6948: 10 5/8"W x 16 3/8"L x 12"H
<b>Installation Guide</b>	: VitrA Template # 310136
<b>Included Components</b>	: Lavatory installation kit (311060) Trap cover installation kit (424097) Overflow hole ring (311176)
<b>Material</b>	: Vitreous China
<b>Colors</b>	: 003 White 017 Bone / 068 Biscuit (Basic colors) "XXX" indicates the color
<b>Standards</b>	: ASME A 112.19.2, CMR 248 (State of Massachusetts)
<b>Warranty</b>	: 10 year limited warranty

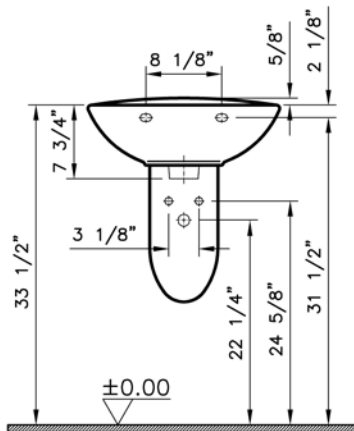
1



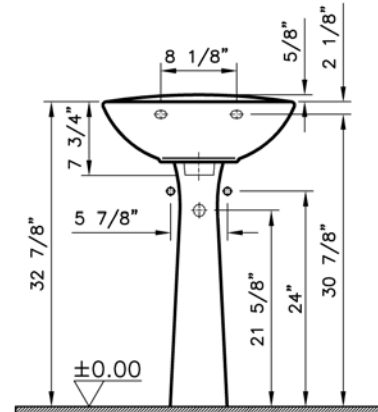
2



3



4



**Notes:**

- DIMENSIONS SHOWN FOR THE LOCATION OF THE SUPPLY IS SUGGESTED.
- INSTALLATION INSTRUCTIONS SUPPLIED WITH THE TOILET.

**IMPORTANT:** Dimensions of fixtures are nominal and may vary within the range of tolerances established by ASME Standard A 112.19.2, CSA Standard B45. These measurements may be subject to change. No responsibility is assumed for the use of superseded or voided pages.

May, 2010