

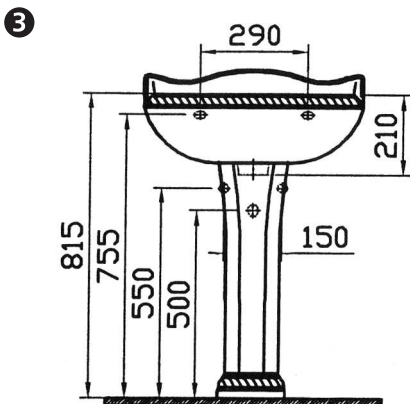
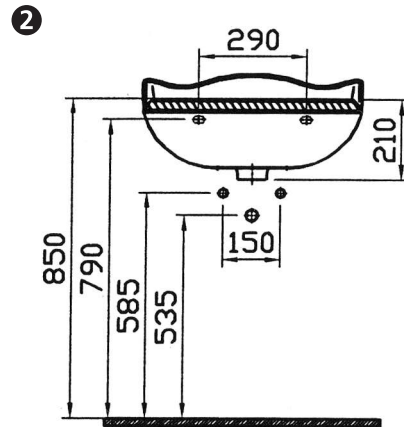
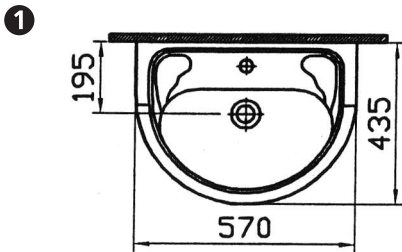
# Chartwell



**Code-No.** : 6148-XXX-0001  
**Description** : Washbasin, 57 cm  
**Compatible Items** : 6917-XXX-0156 Pedestal  
**Material** : Vitreous China  
**Fixing Pack** : 312090  
**Fixing Brochure** : 312790  
**Weight (kg)** : 15.6  
**Colour** : 003 white  
**Features** : one tap hole, overflow hole  
**Warranty** : 10 years limited warranty



**Code-No.** : 6917-XXX-0156  
**Description** : Pedestal  
**Weight (kg)** : 8.6



# Chartwell



**Code-No.** : 6148-XXX-0033  
**Description** : Washbasin, 57 cm  
**Compatible Items** : 6917-XXX-0156 Pedestal  
**Material** : Vitreous China  
**Fixing Pack** : 312090  
**Fixing Brochure** : 312790  
**Weight (kg)** : 15.6  
**Colour** : 003 white  
**Features** : 3 tap holes (8"), overflow hole  
**Standards** : ASME, CSA, GOST  
**Warranty** : 10 years limited warranty



**Code-No.** : 6917-XXX-0156  
**Description** : Pedestal  
**Weight (kg)** : 8.6

