

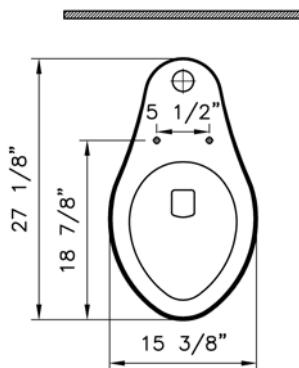
Commercial Line

VitraA

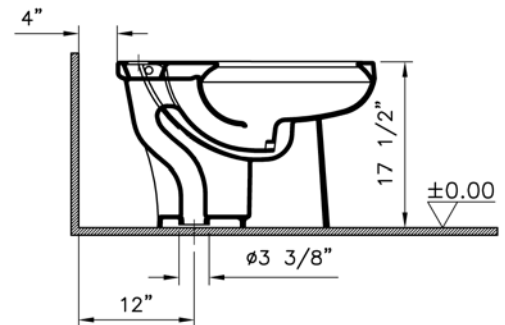


Description	: Flushometer Toilet 1.6 gpf Elongated Bowl, 1 1/2" top spud, ADA Compliant
Model Numbers	: 6522BXXX-0075
Water Consumption	: 1.6 GPF / 6.0 LPF
Water Surface	: 15 3/8" x 12 3/8"
Water Depth From Rim	: 4 3/8"
Rough in	: 10 or 12"
Minimum Water Pressure	: 35 psi (flow)
Trap Diameter	: Fully glazed 2" ball pass trapway with 2 1/8" trap diameter
Trap Seal Depth	: 2 3/8"
Shipping Weight	: 52 lbs.
Shipping Dimensions	: 16 3/8"W x 28 3/8"L x 20 1/2"H
Included Components	: Spud (313209) Bolt caps (white 310359 / bone-biscuit 310306)
Material	: Vitreous China
Colors	: 003 White 017 Bone / 068 Biscuit (basic colors) "XXX" indicates the color
Standards	: ASME A 112.19.2, CSA B45, CMR 248 (State of Massachusetts)
Warranty	: 10 year limited warranty

1



2



Notes:

- DIMENSIONS SHOWN FOR THE LOCATION OF THE SUPPLY IS SUGGESTED.
- INSTALLATION INSTRUCTIONS SUPPLIED WITH THE TOILET.

IMPORTANT: Dimensions of fixtures are nominal and may vary within the range of tolerances established by ASME Standard A 112.19.2, CSA Standard B45. These measurements may be subject to change. No responsibility is assumed for the use of superseded or voided pages.

May, 2010