

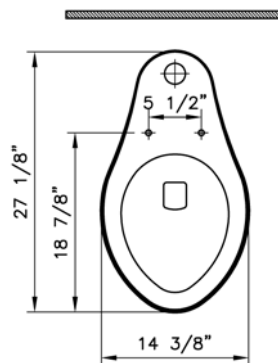
# Commercial Line

VitraA

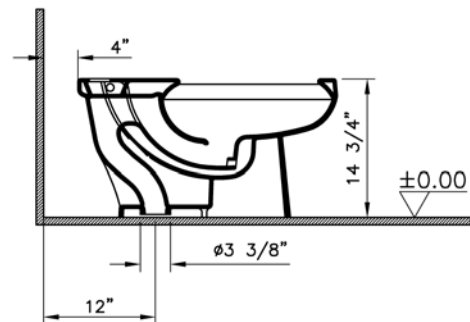


|                        |   |
|------------------------|---|
| Description            | : Flushometer Toilet 1.6 gpf Elongated Bowl, 1 1/2" top spud                      |
| Model Numbers          | : 6521BXXX-0075   |
| Water Consumption      | : 1.6 GPF   |
| Water Surface          | : 15" x 12 1/4"   |
| Water Depth From Rim   | : 4 3/8"  |
| Rough in               | : 10 or 12"   |
| Minimum Water Pressure | : 35 psi (flow)   |
| Trap Diameter          | : Fully glazed 2" ball pass trapway with 2 1/8" trap diameter                     |
| Trap Seal Depth        | : 2 3/8"  |
| Shipping Weight        | : 49 lbs.   |
| Shipping Dimensions    | : 15 1/8"W x 29 1/8"L x 19"H  |
| Included Components    | : Spud (313209)<br>Bolt caps (white 310359 / bone-biscuit 310306)                 |
| Material               | : Vitreous China  |
| Colors                 | : 003 White<br>017 Bone / 068 Biscuit (basic colors)<br>"XXX" indicates the color |
| Standards              | : ASME A 112.19.2, CSA B45, CMR 248 (State of Massachusetts)                      |
| Warranty               | : 10 year limited warranty  |

1



2



**Notes:**

- DIMENSIONS SHOWN FOR THE LOCATION OF THE SUPPLY IS SUGGESTED.
- INSTALLATION INSTRUCTIONS SUPPLIED WITH THE TOILET.

**IMPORTANT:** Dimensions of fixtures are nominal and may vary within the range of tolerances established by ASME Standard A 112.19.2, CSA Standard B45. These measurements may be subject to change. No responsibility is assumed for the use of superseded or voided pages.

May, 2010