
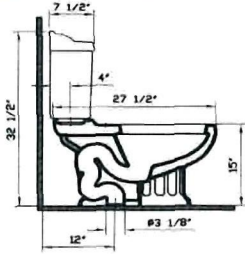

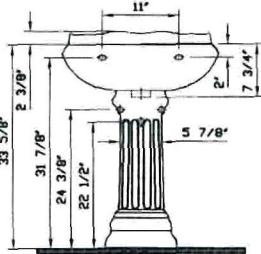

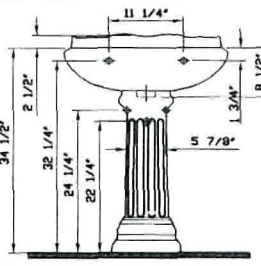


# Vitra®

<b>KATIA</b>					
Product	Spec	Product Code	Description	White List Price	
		4038-XXX-0075	Two-piece Toilet <b>Elongated Bowl</b> 1.6 gpf	213	
		6491-XXX-5052	Tank	176	
		<b>22" x 19" Pedestal Lav</b>			
		4036-XXX-0001	Single Hole Drilling	148	
		4036-XXX-0030	4" Faucet Drilling	148	
		4036-XXX-0033	8" Faucet Drilling	148	
		4037-XXX-0156	Pedestal Base	143	
		<b>25" x 21" Lavatory</b>			
		6098-XXX-0001	Single Hole Drilling	195	
		6098-XXX-0030	4" Faucet Drilling	195	
		6098-XXX-0033	8" Faucet Drilling	195	
		4037-XXX-0156	Pedestal Base	143	

"XXX" indicates the color: 003 = white, 017 = bone, 068 = bisque.  
List prices are for white. Bone/Bisque have a 20% additional charge.

*Spec sheets can be viewed at [www.mmirep.com](http://www.mmirep.com).*