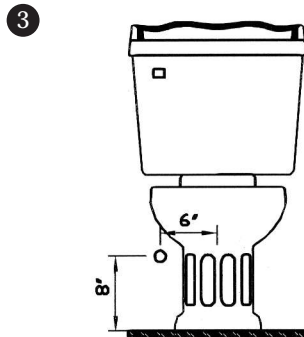
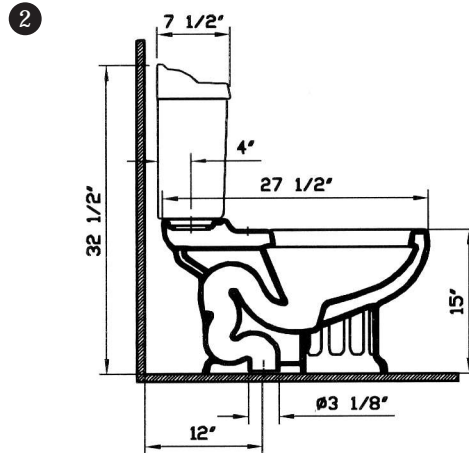


Katia



Description	: Katia Two-piece Elongated Front Bowl
Model Number	: 4038-XXX-0075
Compatible Items	: 6491-XXX-5052 Tank complete with fittings and chrome plated metal trim lever 6491-XXX-5055 Tank complete with fittings and chrome plated metal trim lever (styrofoam lined) 36-003-002 Toilet Seat (elongated)
Water Consumption	: 1.6 GPF
Water Surface	: 6 5/8" x 8 7/8"
Water Depth From Rim	: 5 3/4"
Rough-In	: 12"
Minimum Water Pressure	: 20 psi.
Trap Diameter	: Fully glazed 2" ball pass trapway with 2 1/8" diameter
Trap Seal Depth	: 2 1/8"
Shipping Weight	: 4038 : 49 lbs. 6491 : 37 lbs.
Shipping Dimensions	: 4038 : 15 1/8" W x 27 1/8" L x 17 3/4" H 6491 : 9 3/8" W x 18 1/8" L x 17 1/4" H
Installation Guide	: Vitra Guide # 312851
Included Components	: Tank fittings, bolt caps (white 310359 / bone-biscuit 310306 / black 310360)
Material	: Vitreous china
Colors	: 003 White 017 Bone, 068 Biscuit (Basic Colors) 001 Edelweiss, 070 Black (Special Colors) "XXX" indicates the color
Standards	: ASME A 112.19.2, CSA B45, CMR 248 (State of Massachusetts)
Warranty	: 10 year limited warranty



Notes:
 • DIMENSIONS SHOWN FOR THE LOCATION OF THE SUPPLY IS SUGGESTED.
 • INSTALLATION INSTRUCTIONS SUPPLIED WITH THE TOILET.
 IMPORTANT: Dimensions of fixtures are nominal and may vary within the range of tolerances established by ASME Standard A 112.19.2, CSA Standard B45 and CMR Standard 248 (State of Massachusetts). These measurements may be subject to change. No responsibility is assumed for the use of superseded or voided pages.

April, 2005