

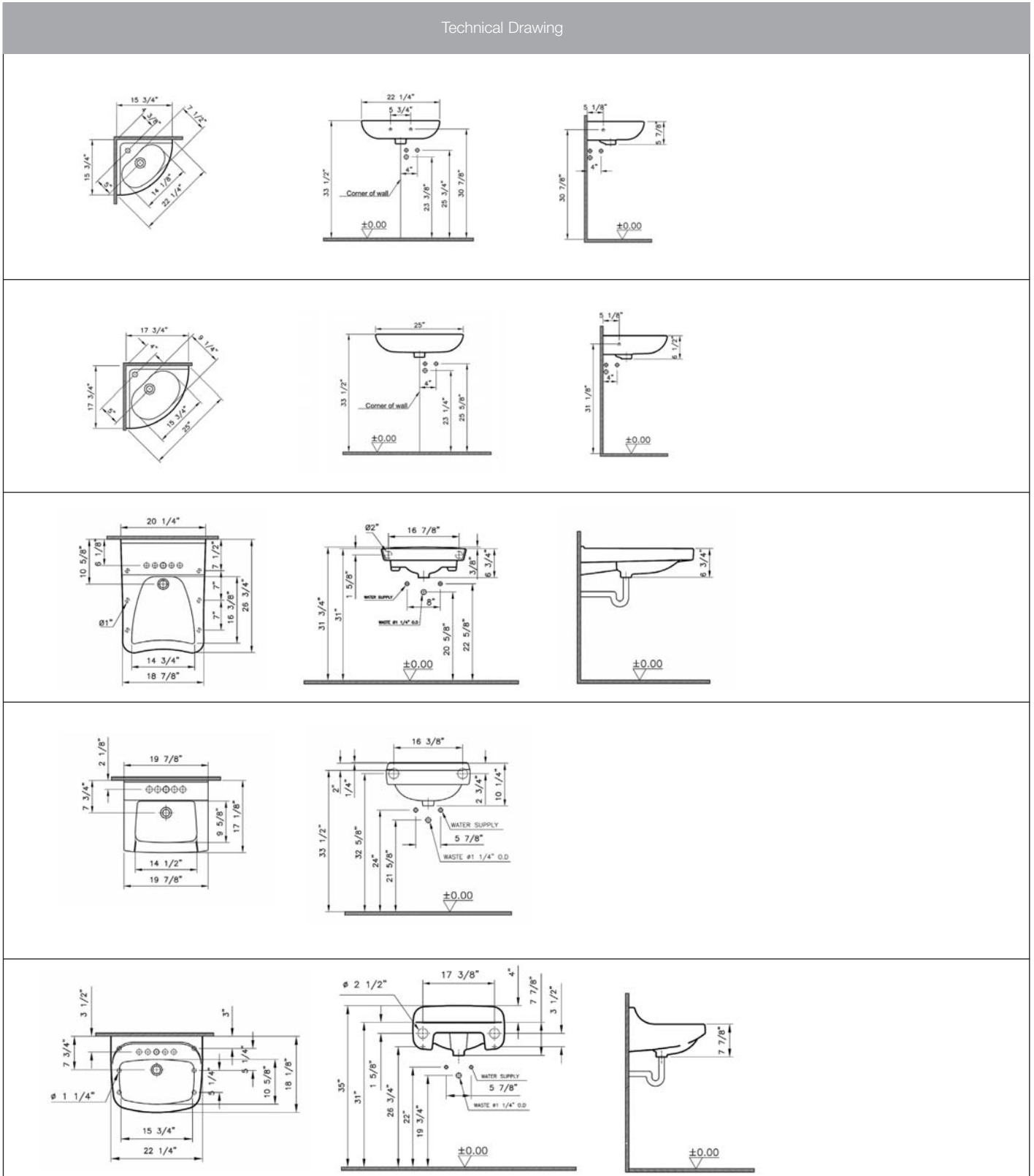
Wall Mount Lavatories

VitrA

| Product | Product Code | Description | White Color USD | Cubes (cu.ft.) | Approx Weight (lbs) |
|---|---------------|--|-----------------|----------------|---------------------|
|  | 6093BXXX-0001 | 16" Corner lavatory (Single-hole faucet drilling) | 140 | 2.3 | 31 |
|  | 6871BXXX-0001 | 18" Corner lavatory (Single-hole faucet drilling) | 155 | 2.3 | 31 |
|  | 6289BXXX-0001 | 19" x 27" Wall mount lavatory* (Single-hole faucet drilling) ADA Compliant <u>* Availability limited to existing inventory.</u> | 215 | 2.7 | 37 |
|  | 6289BXXX-0033 | 19" x 27" Wall mount lavatory* (8" faucet drilling) ADA Compliant <u>* Availability limited to existing inventory.</u> | 215 | 2.7 | 37 |
|  | 5406BXXX-0001 | 20" x 17" Wall mount lavatory (Single-hole faucet drilling) ADA Compliant | 88 | 2.8 | 31 |
|  | 5406BXXX-0030 | 20" x 17" Wall mount lavatory (4" faucet drilling) ADA Compliant | 88 | 2.8 | 31 |
| | 5406BXXX-0033 | 20" x 17" Wall mount lavatory (8" faucet drilling) ADA Compliant | 88 | 2.8 | 31 |
|  | 5072BXXX-0001 | 22" x 18" Wall mount lavatory (Single-hole faucet drilling) ADA Compliant | 117 | 2.5 | 40 |
|  | 5072BXXX-0030 | 22" x 18" Wall mount lavatory (4" faucet drilling) ADA Compliant | 117 | 2.5 | 40 |
| | 5072BXXX-0033 | 22" x 18" Wall mount lavatory (8" faucet drilling) ADA Compliant | 117 | 2.5 | 40 |

- 10 year warranty is offered only for plumbing fixtures. • 2 year warranty is offered for the toilet seats and bathroom furniture.
- "XXX" indicates the color. The color surcharge is an additional 20 % for basic colors of the product's price.
For basic and special colors offered for each suite, refer to page no. 62
- VitrAclean glazing surcharge is \$79 per product. VitrAhygiene glazing surcharge is \$79 per product.

Technical Drawing



Colors

VitrA

Plumbing Fixtures



| | 003 White | 017 Bone* | 068 Biscuit** |
|-----------|--------------|--------------|------------------|
| Corina | • | • | • |
| EverGreen | • | • | • |
| Atlantis | • | • | • |

- The color surcharge is an additional 20% for basic colors of the product's price.
- Basic colors : 017 Bone, 068 Biscuit
- The first zero of the color codes should be replaced for ordering VitrAclean and/or VitrAhygiene.
- VitrAclean : 4xx
- VitrAhygiene : 6xx
- VitrAclean & VitrAhygiene: 7xx

* New orders from the factory require a minimum order quantity of 10 pcs per product.

** New orders from the factory require a minimum order quantity of 5 pcs per product.