

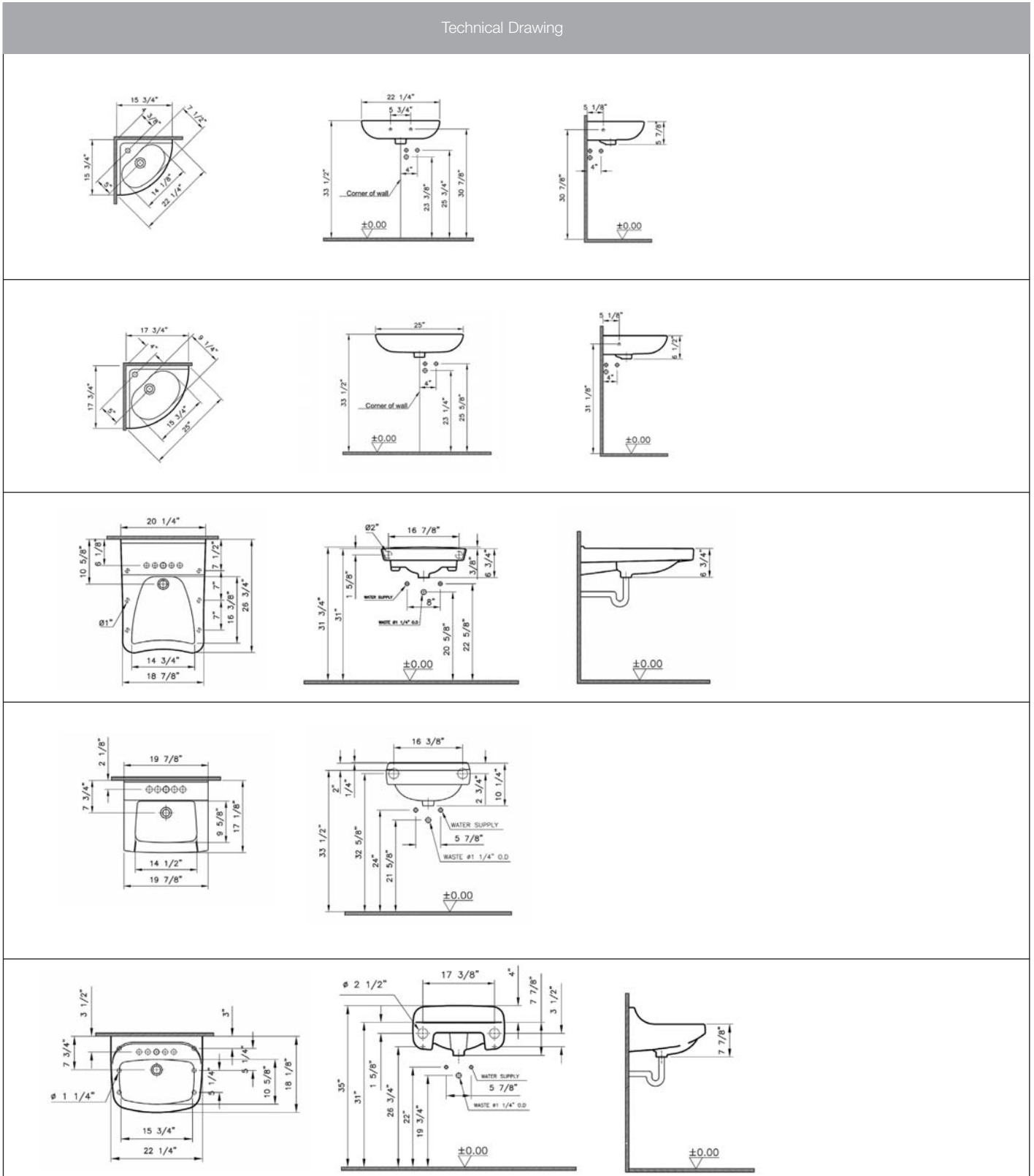
Wall Mount Lavatories

VitrA

Product	Product Code	Description	White Color USD	Cubes (cu.ft.)	Approx Weight (lbs)
	6093BXXX-0001	16" Corner lavatory (Single-hole faucet drilling)	140	2.3	31
	6871BXXX-0001	18" Corner lavatory (Single-hole faucet drilling)	155	2.3	31
	6289BXXX-0001	19" x 27" Wall mount lavatory* (Single-hole faucet drilling) ADA Compliant <u>* Availability limited to existing inventory.</u>	215	2.7	37
	6289BXXX-0033	19" x 27" Wall mount lavatory* (8" faucet drilling) ADA Compliant <u>* Availability limited to existing inventory.</u>	215	2.7	37
	5406BXXX-0001	20" x 17" Wall mount lavatory (Single-hole faucet drilling) ADA Compliant	88	2.8	31
	5406BXXX-0030	20" x 17" Wall mount lavatory (4" faucet drilling) ADA Compliant	88	2.8	31
	5406BXXX-0033	20" x 17" Wall mount lavatory (8" faucet drilling) ADA Compliant	88	2.8	31
	5072BXXX-0001	22" x 18" Wall mount lavatory (Single-hole faucet drilling) ADA Compliant	117	2.5	40
	5072BXXX-0030	22" x 18" Wall mount lavatory (4" faucet drilling) ADA Compliant	117	2.5	40
	5072BXXX-0033	22" x 18" Wall mount lavatory (8" faucet drilling) ADA Compliant	117	2.5	40

- 10 year warranty is offered only for plumbing fixtures. • 2 year warranty is offered for the toilet seats and bathroom furniture.
- "XXX" indicates the color. The color surcharge is an additional 20 % for basic colors of the product's price.
For basic and special colors offered for each suite, refer to page no. 62
- VitrAclean glazing surcharge is \$79 per product. VitrAhygiene glazing surcharge is \$79 per product.

Technical Drawing



Colors

VitrA

Plumbing Fixtures



	003 White	017 Bone*	068 Biscuit**
Corina	•	•	•
EverGreen	•	•	•
Atlantis	•	•	•

- The color surcharge is an additional 20% for basic colors of the product's price.
- Basic colors : 017 Bone, 068 Biscuit
- The first zero of the color codes should be replaced for ordering VitrAclean and/or VitrAhygiene.
- VitrAclean : 4xx
- VitrAhygiene : 6xx
- VitrAclean & VitrAhygiene: 7xx

* New orders from the factory require a minimum order quantity of 10 pcs per product.

** New orders from the factory require a minimum order quantity of 5 pcs per product.