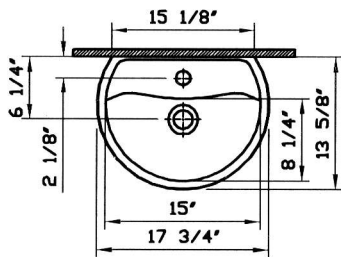


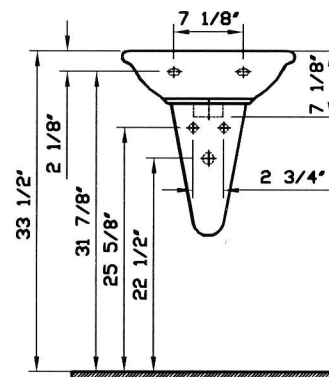


Description	: Riva Wall Mount Lavatory
Model Number	: 6195-XXX-0002 Single-hole faucet drilling
Compatible Item	: 6918-XXX-0162 Trap Cover (small)
Size	: 17 3/4" x 13 5/8"
Height	: 33 1/2"
Depth	: 5 3/4"
Waste	: Ø1 1/4" O.D.
Shipping Weight	: 6195 : 19 lbs. 6918 : 12 lbs.
Shipping Dimensions	: 6495 : 7 1/8" W x 18 1/2" L x 15 3/4" H 6918 : 9" W x 14 3/8" L x 11" H
Installation Guide	: VitrA Guide # 312850
Included Components	: Lavatory installation kit (312090) Trap cover installation kit (424097)
Material	: Vitreous china
Colors	: 003 White 017 Bone, 068 Biscuit (Basic Colors) 001 Edelweiss, 070 Black (Special Colors) "XXX" indicates the color
Warranty	: 10 year limited warranty

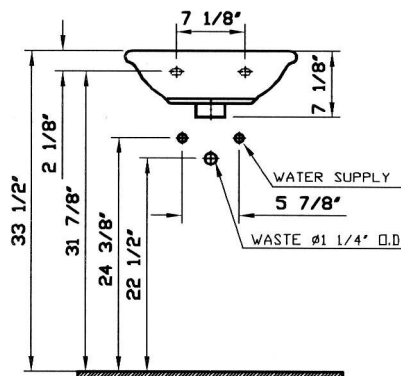
1



2



3



Notes:
 • DIMENSIONS SHOWN FOR THE LOCATION OF THE SUPPLY IS SUGGESTED.
 • INSTALLATION INSTRUCTIONS SUPPLIED WITH THE LAVATORY.
 • FITTINGS ARE NOT INCLUDED
 • PROVIDE SUITABLE REINFORCEMENT FOR ALL WALL SUPPORTS.

IMPORTANT: Dimensions of fixtures are nominal and may vary within the range of tolerances.
 These measurements may be subject to change. No responsibility is assumed for the use of superseded or voided pages.