

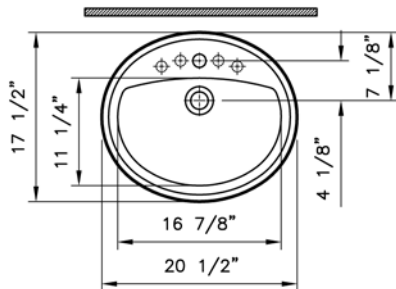
Commercial Line

VitrA

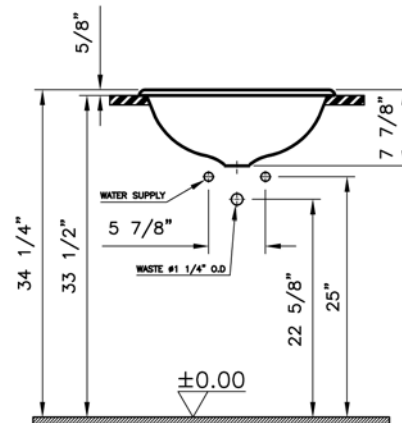


Description	: Self-rimming Lavatory, ADA compliant
Model Numbers	: 6114BXXX-0001 Single-hole faucet drilling 6114BXXX-0030 4" faucet drilling 6114BXXX-0033 8" faucet drilling
Size	: 20" x 17"
Height	: 34"
Depth	: 5 7/8"
Waste	: Ø1 1/4" O. D.
Shipping Weight	: 16 lbs.
Shipping Dimensions	: 8 3/8"W x 20 7/8"L x 18 1/2"H
Installation Guide	: VitrA Template # 312751
Material	: Vitreous China
Colors	: 003 White 017 Bone / 068 Biscuit (Basic colors) "XXX" indicates the color
Standards	: Meets the American Disabilities Act Guidelines and ANSI A 117.1 requirements when the countertop is installed 864 mm (34") from the finished floor and the lavatory is installed 51 mm (2") minimum from front edge. ASME A 112.19.2, CSA B45, ACMR 248 (State of Massachusetts), ICC/ANSI A 117.1
Warranty	: 10 year limited warranty

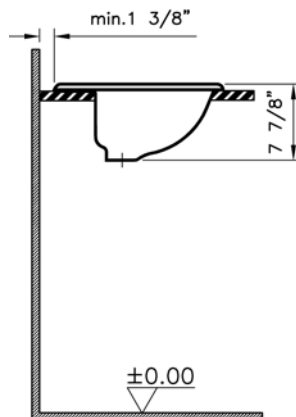
1



2



3



Notes:

- DIMENSIONS SHOWN FOR THE LOCATION OF THE SUPPLY IS SUGGESTED.
- INSTALLATION INSTRUCTIONS SUPPLIED WITH THE TOILET.

IMPORTANT: Dimensions of fixtures are nominal and may vary within the range of tolerances established by ASME Standard A 112.19.2, CSA Standard B45. These measurements may be subject to change. No responsibility is assumed for the use of superseded or voided pages.

May, 2010