

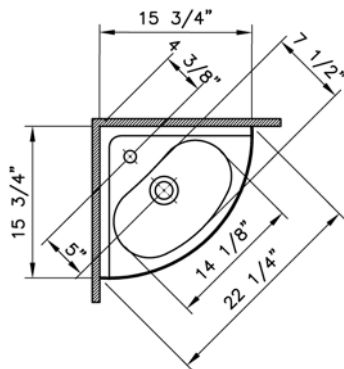
Commercial Line

VitrA

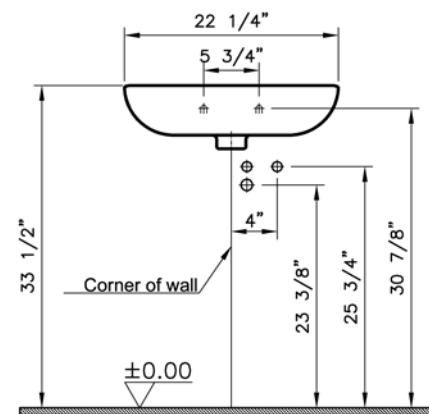


Description	: Corner Lavatory
Model Numbers	: 6093BXXX-0001 Single-hole faucet drilling
Size	: 16" x 16"
Height	: 33 1/2"
Depth	: 4 3/8"
Waste	: Ø1 1/4" O. D.
Shipping Weight	: 18.3 lbs.
Shipping Dimensions	: 7 7/8"W x 17 1/8"L x 17 3/8"H
Installation Guide	: VitrA Guide # 310135
Included Components	: Lavatory Installation Kit (311060)
Material	: Vitreous China
Colors	: 003 White 017 Bone / 068 Biscuit (Basic colors) "XXX" indicates the color
Warranty	: 10 year limited warranty

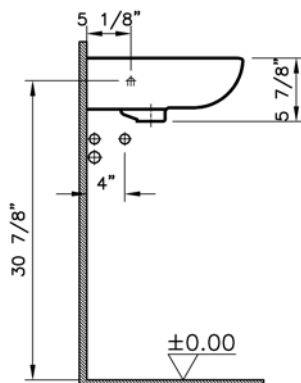
1



2



3



Notes:

- DIMENSIONS SHOWN FOR THE LOCATION OF THE SUPPLY IS SUGGESTED.
- INSTALLATION INSTRUCTIONS SUPPLIED WITH THE TOILET.

IMPORTANT: Dimensions of fixtures are nominal and may vary within the range of tolerances established by ASME Standard A 112.19.2, CSA Standard B45. These measurements may be subject to change. No responsibility is assumed for the use of superseded or voided pages.

May, 2010