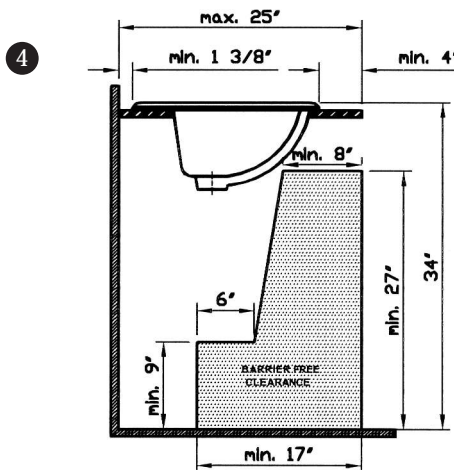
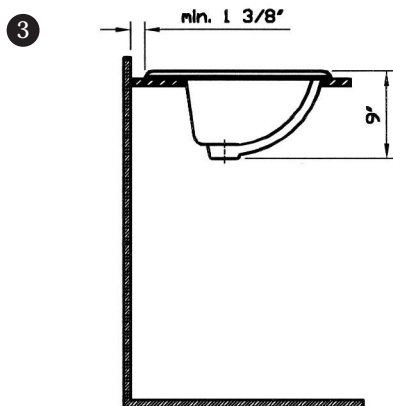
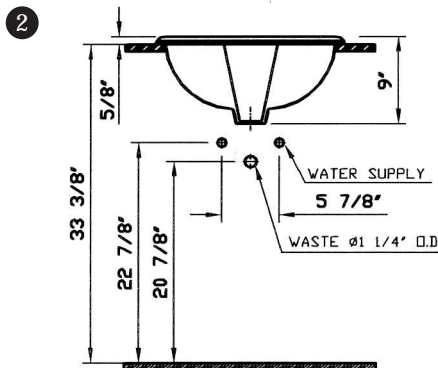
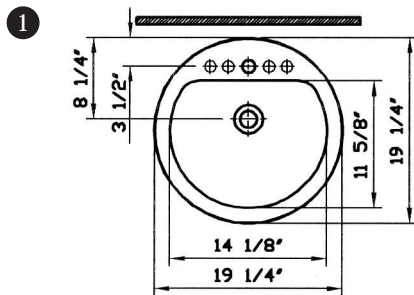


Commercial Line



Description	: Self-rimming Lavatory, ADA compliant
Model Numbers	: 6085-XXX-0005 Single-hole faucet drilling 6085-XXX-0032 4" faucet drilling 6085-XXX-0035 8" faucet drilling
Size	: 19 1/4" x 19 1/4"
Height	: 34"
Depth	: 7 1/2"
Waste	: Ø1 1/4" O.D.
Shipping Weight	: 22 lbs.
Shipping Dimensions	: 9 7/8" W x 20 1/8" L x 20 1/2" H
Installation Guide	: Vitra Template # 312757
Material	: Vitreous china
Colors	: 003 White 017 Bone, 068 Biscuit (Basic Colors) "XXX" indicates the color
Standards	: Meets the American Disabilities Act Guidelines and ANSI A117.1 requirements when the countertop is installed 864 mm (34") from the finished floor and the lavatory is installed 102 mm (4") minimum from front edge. ASME A 112.19.2, CSA B45, CMR 248 (State of Massachusetts), ICC/ANSI A 117.1
Warranty	: 10 year limited warranty



Notes:

- DIMENSIONS SHOWN FOR THE LOCATION OF THE SUPPLY IS SUGGESTED.
- INSTALLATION INSTRUCTIONS SUPPLIED WITH THE LAVATORY.
- FITTINGS ARE NOT INCLUDED

IMPORTANT: Dimensions of fixtures are nominal and may vary within the range of tolerances established by ASME Standard A 112.19.2, CSA Standard B45, CMR Standard 248 (State of Massachusetts) and ICC/ANSI Standard A 117.1.

These measurements may be subject to change. No responsibility is assumed for the use of superseded or voided pages.

April, 2005