

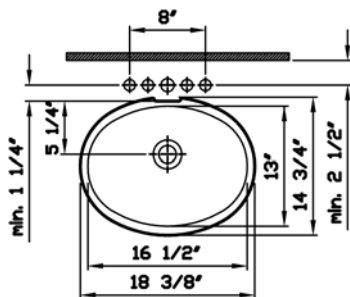
# Commercial Line

VitrA

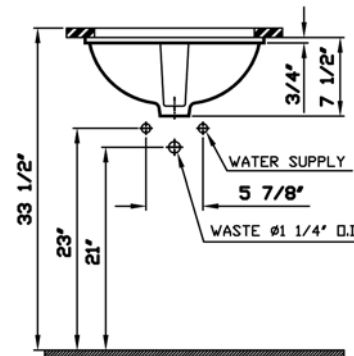


Description	: Undercounter Lavatory (without faucet hole), ADA compliant
Model Numbers	: 6039BXXX-0012
Size	: 16" x 13"
Height	: 34"
Depth	: 5 3/4"
Waste	: Ø1 1/4" O. D.
Shipping Weight	: 11 lbs.
Shipping Dimensions	: 8 5/8"W x 18 7/8"L x 16 1/8"H
Installation Guide	: VitrA Template # 312758
Included Components	: Lavatory installation kit (424039)
Material	: Vitreous China
Colors	: 003 White 017 Bone / 068 Biscuit (Basic colors) "XXX" indicates the color
Standards	: Meets the American Disabilities Act ANSI A 117.1 requirements when the countertop is installed 864 mm (34") from the finished floor and the lavatory is installed 114 mm (4 1/2") minimum from front edge. ASME A 112.19.2, CSA B45, ACMR 248 (State of Massachusetts), ICC/ANSI A 117.1
Warranty	: 10 year limited warranty

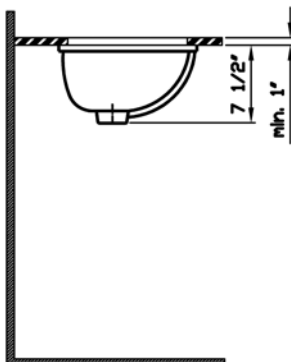
1



2



3



**Notes:**

- DIMENSIONS SHOWN FOR THE LOCATION OF THE SUPPLY IS SUGGESTED.
- INSTALLATION INSTRUCTIONS SUPPLIED WITH THE TOILET.

**IMPORTANT:** Dimensions of fixtures are nominal and may vary within the range of tolerances established by ASME Standard A 112.19.2, CSA Standard B45. These measurements may be subject to change. No responsibility is assumed for the use of superseded or voided pages.

May, 2010