

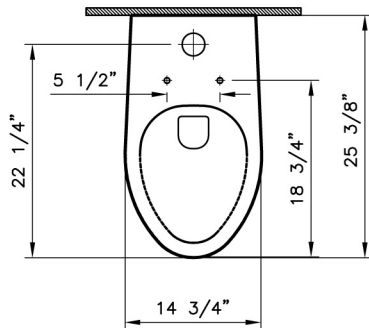
Commercial Line

VitrA

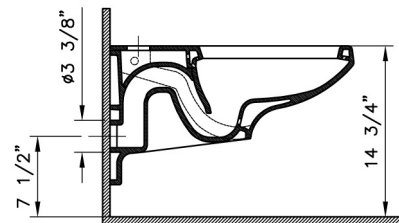


Description	: Wall-hung Flushometer Toilet 1.28 gpf Elongated Bowl, ADA compliant (1 1/2" top spud)
Model Number	: 5425BXXX-0075
Compatible Items	: 36-003-002 Toilet Seat (elongated) (available only in white color) 44-XXX-009 Toilet Seat soft-closing
Water Consumption	: 1.28 GPF
Water Surface	: 10 1/2" x 8 7/8"
Water Depth From Rim	: 5 1/8"
Minimum Water Pressure	: 35 psi
Trap Diameter	: 2 3/8"
Trap Seal Depth	: 2 1/8"
Shipping Weight	: 48.5 lbs
Shipping Dimensions	: 15 3/4" W x 16 1/2" L x 26 3/4" H
Installation Guide	: VitrA Guide #312855
Material	: Vitreous China
Colors	: 003 White / 017 Bone / 068 Biscuit (basic colors) "XXX" indicates the color
Standards	: ASME A 112.19.2 / CSA B45.1, ICC/ANSI A 117-1
Warranty	: 10 year limited warranty

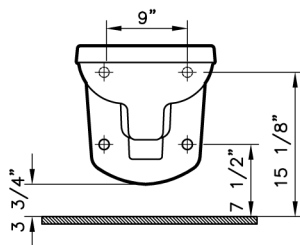
1



2



3



Notes:
 • DIMENSIONS SHOWN FOR THE LOCATION OF THE SUPPLY IS SUGGESTED.
 • INSTALLATION INSTRUCTIONS SUPPLIED WITH THE TOILET.

IMPORTANT: Dimensions of fixtures are nominal and may vary within the range of tolerances established by ASME Standard A 112.19.2, CSA Standard B45. These measurements may be subject to change. No responsibility is assumed for the use of superseded or voided pages.

March, 2010