

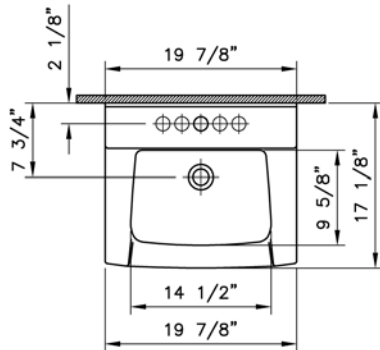
Commercial Line

VitrA

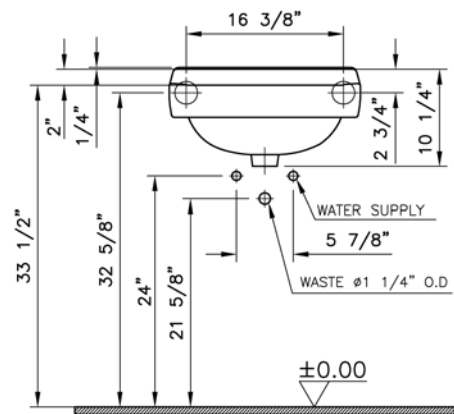


Description : Wall Mount Lavatory, ADA compliant
Model Numbers : 5406BXXX-0001 Single-hole faucet drilling
 5406BXXX-0030 4" faucet drilling
 5406BXXX-0033 8" faucet drilling
Size : 20" x 17"
Height : 33 1/2"
Depth : 8 1/4"
Waste : Ø1 1/4" O. D.
Shipping Weight : 31 lbs.
Shipping Dimensions : 13 7/8"W x 22 1/4"L x 19 7/8"H
Installation Guide : VitrA Guide # 312852
Included Components : Wall hung lavatory mounting bracket (312568)
Material : Vitreous China
Colors : 003 White
 017 Bone / 068 Biscuit (Basic colors)
 "XXX" indicates the color
Warranty : 10 year limited warranty

1



2



3

Notes:

- DIMENSIONS SHOWN FOR THE LOCATION OF THE SUPPLY IS SUGGESTED.
- INSTALLATION INSTRUCTIONS SUPPLIED WITH THE TOILET.

IMPORTANT: Dimensions of fixtures are nominal and may vary within the range of tolerances established by ASME Standard A 112.19.2, CSA Standard B45. These measurements may be subject to change. No responsibility is assumed for the use of superseded or voided pages.

May, 2010