






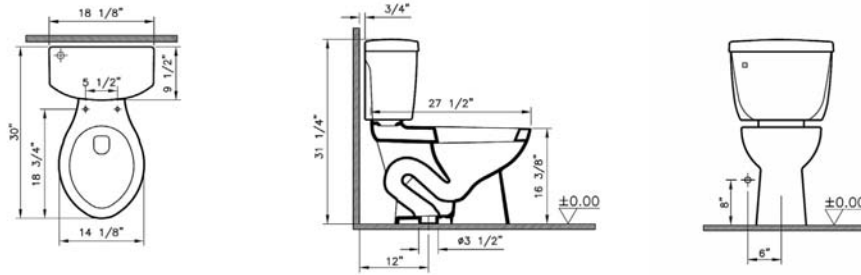


# EverGreen High Efficiency Toilets (HET) and Urinals (HEU)

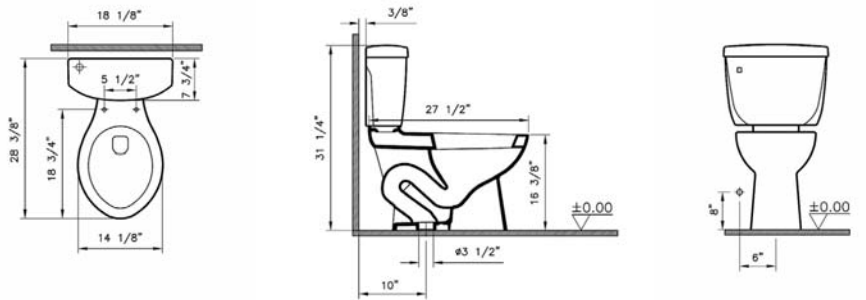
Product	Product Code	Description	White Color USD	Cubes (sq.ft)	Approx Weight (lbs)
    	5195BXXX-0075	<b>EverGreen Two-piece toilet 1.2 gpf HET</b> (ELONGATED bowl) (BOWL ONLY) (extended height) <b>ADA compliant</b>	<b>204</b>	7.9	49
	5402BXXX-5332	<b>Tank*</b> (polished chrome plated metal lever on left hand side, fluidmaster fill valve) 12" rough-in	<b>120</b>	2.9	37
	5402BXXX-5335	<b>Tank*</b> (polished chrome plated metal lever on right hand side, fluidmaster fill valve) 12" rough-in	<b>120</b>	2.9	37
	5402BXXX-5249	<b>Tank*</b> (white lever on left hand side, fluidmaster fill valve) 12" rough-in	<b>110</b>	2.9	37
	5400BXXX-5332	<b>Tank*</b> (polished chrome plated metal lever on left hand side, fluidmaster fill valve) 10" rough-in	<b>173</b>	2.8	32
	5400BXXX-5335	<b>Tank*</b> (polished chrome plated metal lever on right hand side, fluidmaster fill valve) 10" rough-in	<b>173</b>	2.8	32
	5400BXXX-5249	<b>Tank*</b> (white lever on left hand side, fluidmaster fill valve) 10" rough-in	<b>163</b>	2.8	32
	5404BXXX-5332	<b>Tank*</b> (polished chrome plated metal lever on left hand side, fluidmaster fill valve) 14" rough-in	<b>173</b>	3.5	44
	5404BXXX-5335	<b>Tank*</b> (polished chrome plated metal lever on right hand side, fluidmaster fill valve) 14" rough-in	<b>173</b>	3.5	44
	5404BXXX-5249	<b>Tank*</b> (white lever on left hand side, fluidmaster fill valve) 14" rough-in	<b>163</b>	3.5	44
	313109	<b>Trim lever (satin nickel)</b> (front left hand side) (compatible with 5402, 5400, 5404)	<b>30</b>		
	313110	<b>Trim lever (satin nickel)</b> (front right hand side) (compatible with 5402, 5400, 5404)	<b>30</b>		

- 10 year warranty is offered only for plumbing fixtures. • 2 year warranty is offered for the toilet seats and bathroom furniture.
- "XXX" indicates the color. The color surcharge is an additional 20 % for basic colors of the product's price.
- For basic and special colors offered for each suite, refer to page no. 62
- VitrAclean glazing surcharge is \$79 per product. VitrAhygiene glazing surcharge is \$79 per product.
- \* Styrofoam lined tanks are available on request with a \$10 up-charge per tank.

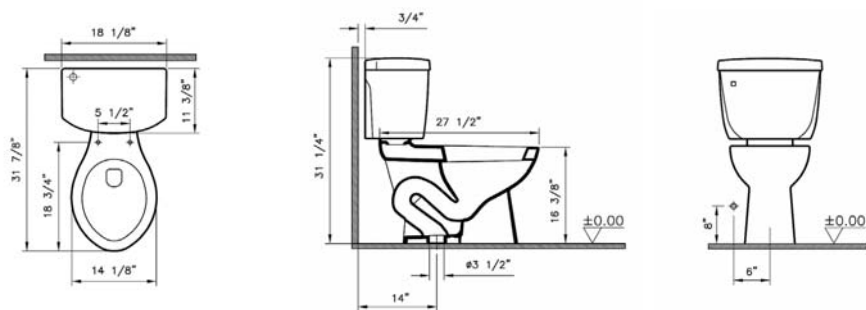
Technical Drawing



5402BXXX-XXXX



5400BXXX-XXXX



5404BXXX-XXXX