






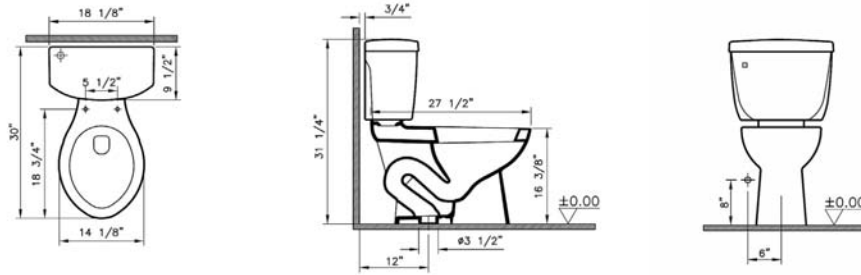


EverGreen High Efficiency Toilets (HET) and Urinals (HEU)

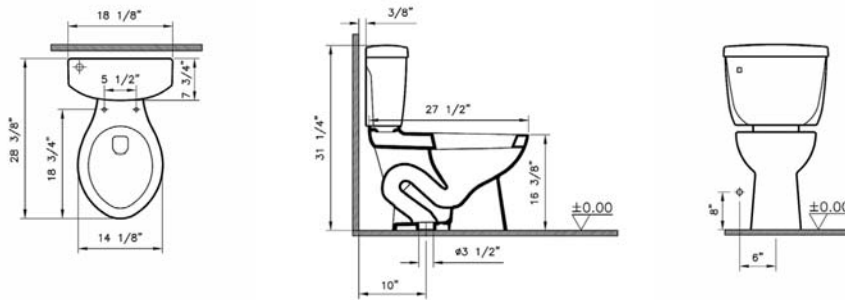
Product	Product Code	Description	White Color USD	Cubes (sq.ft)	Approx Weight (lbs)
    	5195BXXX-0075	EverGreen Two-piece toilet 1.2 gpf HET (ELONGATED bowl) (BOWL ONLY) (extended height) ADA compliant	204	7.9	49
	5402BXXX-5332	Tank* (polished chrome plated metal lever on left hand side, fluidmaster fill valve) 12" rough-in	120	2.9	37
	5402BXXX-5335	Tank* (polished chrome plated metal lever on right hand side, fluidmaster fill valve) 12" rough-in	120	2.9	37
	5402BXXX-5249	Tank* (white lever on left hand side, fluidmaster fill valve) 12" rough-in	110	2.9	37
	5400BXXX-5332	Tank* (polished chrome plated metal lever on left hand side, fluidmaster fill valve) 10" rough-in	173	2.8	32
	5400BXXX-5335	Tank* (polished chrome plated metal lever on right hand side, fluidmaster fill valve) 10" rough-in	173	2.8	32
	5400BXXX-5249	Tank* (white lever on left hand side, fluidmaster fill valve) 10" rough-in	163	2.8	32
	5404BXXX-5332	Tank* (polished chrome plated metal lever on left hand side, fluidmaster fill valve) 14" rough-in	173	3.5	44
	5404BXXX-5335	Tank* (polished chrome plated metal lever on right hand side, fluidmaster fill valve) 14" rough-in	173	3.5	44
	5404BXXX-5249	Tank* (white lever on left hand side, fluidmaster fill valve) 14" rough-in	163	3.5	44
	313109	Trim lever (satin nickel) (front left hand side) (compatible with 5402, 5400, 5404)	30		
	313110	Trim lever (satin nickel) (front right hand side) (compatible with 5402, 5400, 5404)	30		

- 10 year warranty is offered only for plumbing fixtures. • 2 year warranty is offered for the toilet seats and bathroom furniture.
- "XXX" indicates the color. The color surcharge is an additional 20 % for basic colors of the product's price.
- For basic and special colors offered for each suite, refer to page no. 62
- VitrAclean glazing surcharge is \$79 per product. VitrAhygiene glazing surcharge is \$79 per product.
- * Styrofoam lined tanks are available on request with a \$10 up-charge per tank.

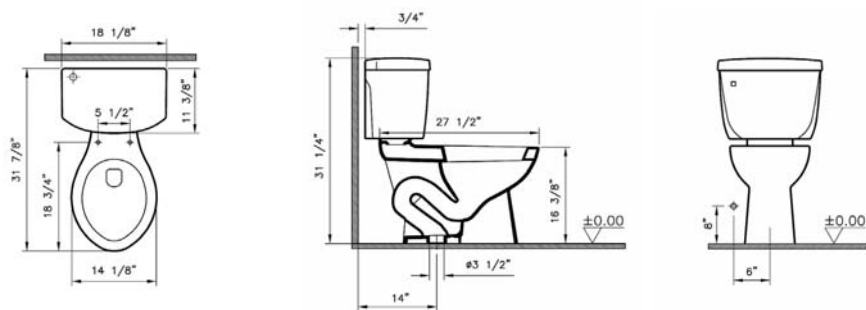
Technical Drawing



5402BXXX-XXXX



5400BXXX-XXXX



5404BXXX-XXXX