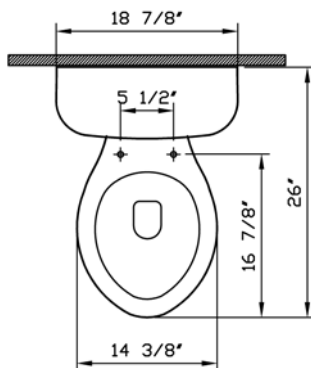


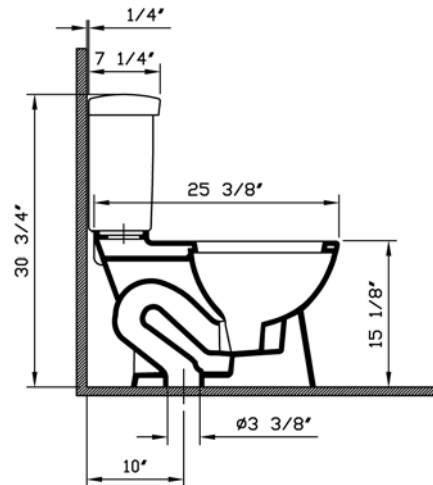


Description	: Corina Two-piece with V3 flushing technology Round Bowl
Model Number	: 5068-XXX-0075
Compatible items	: 5396-XXX-5320 Tank with polished chrome metal trim lever on left hand side (10" rough-in) 5396-XXX-5326 Tank with polished chrome metal trim lever on right hand side (10" rough-in) 5396-XXX-5182 Tank with white plastic trim lever on left hand side (10" rough-in) 5396-XXX-5285 Tank with white plastic trim lever on right hand side (10" rough-in)
Water Consumption	: 1.6 GPF
Water Surface	: 9" x 8 1/8"
Water Depth From Rim	: 6 1/2"
Rough-In	: 10"
Minimum Water Pressure	: 20 psi.
Trap Diameter	: Fully glazed 2" ball pass trapway with 2" diameter
Trap Seal Depth	: 2 1/2"
Shipping Weight	: 5068 : 48 lbs. 5396 : 38 lbs.
Shipping Dimensions	: 5068 : 15 3/8"W x 26 5/8"L x 17 7/8"H 5396 : 8 2/8"W x 19 7/8"L x 15 6/8"H
Installation Guide	: VitrA Guide # 312851
Included Components	: Tank fittings, bolt caps (white 310359 / bone-biscuit 310306)
Material	: Vitreous china
Colors	: 003 White 017 Bone, 068 Biscuit (Basic Colors) "XXX" indicates the color
Standards	: ASME A 112.19.2, CSA B45
Warranty	: 10 year limited warranty

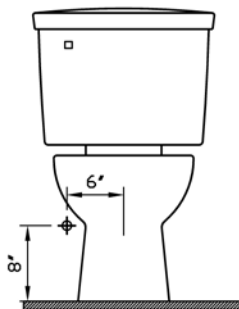
1



2



3



Notes:

- DIMENSIONS SHOWN FOR THE LOCATION OF THE SUPPLY IS SUGGESTED.
- INSTALLATION INSTRUCTIONS SUPPLIED WITH THE TOILET.

IMPORTANT: Dimensions of fixtures are nominal and may vary within the range of tolerances established by ASME Standard A 112.19.2, CSA Standard B45 and LADWP/SPS (City of Los Angeles) Standard. These measurements may be subject to change. No responsibility is assumed for the use of superseded or voided pages.

August, 2008

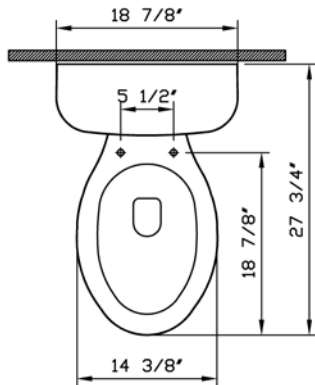
Corina

Vitra

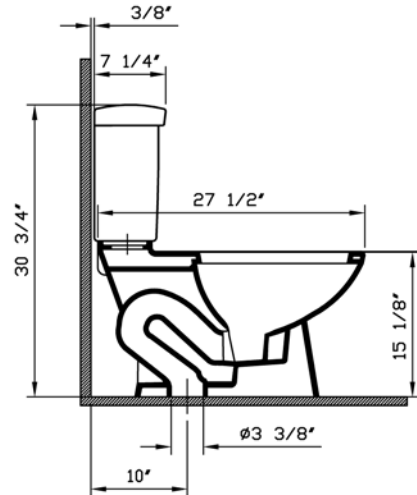


- Description** : Corina Two-piece with V3 flushing technology
Elongated Bowl
- Model Number** : 5069-XXX-0075
- Compatible Items** : 5396-XXX-5320 Tank with polished chrome metal trim lever on left hand side (10" rough-in)
5396-XXX-5326 Tank with polished chrome metal trim lever on right hand side (10" rough-in)
5396-XXX-5182 Tank with white plastic trim lever on left hand side (10" rough-in)
5396-XXX-5285 Tank with white plastic trim lever on right hand side (10" rough-in)
36-003-002 Toilet Seat (elongated) (available only in white color)
44-XXX-009 Toilet Seat (elongated) (soft-closing)
- Water Consumption** : 1.6 GPF
- Water Surface** : 9 1/4" x 8 1/8"
- Water Depth From Rim Rough-In** : 6 1/2"
- Minimum Water Pressure** : 10"
- Trap Diameter** : 20 psi.
- Trap Seal Depth** : Fully glazed 2" ball pass trapway with 2 3/8" diameter
- Shipping Weight** : 2 3/8"
5069 : 51 lbs.
5396 : 38 lbs.
- Shipping Dimensions** : 5069 : 15 6/8"W x 28 3/8"L x 18 4/8"H
5396 : 8 2/8"W x 19 7/8"L x 15 6/8"H
- Installation Guide** : Vitra Guide # 312851
- Included Components** : Tank fittings, bolt caps
- Material** : (white 310359 / bone-biscuit 310306)
- Colors** : Vitreous china
003 White
017 Bone, 068 Biscuit (Basic Colors)
"XXX" indicates the color
- Standards** : ASME A 112.19.2, CSA B45, LADWP/SPS (City of Los Angeles)
- Warranty** : 10 year limited warranty

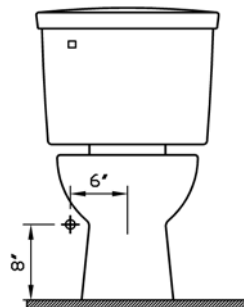
1



2



3



Notes:

- DIMENSIONS SHOWN FOR THE LOCATION OF THE SUPPLY IS SUGGESTED.
- INSTALLATION INSTRUCTIONS SUPPLIED WITH THE TOILET.

IMPORTANT: Dimensions of fixtures are nominal and may vary within the range of tolerances established by ASME Standard A 112.19.2, CSA Standard B45 and LADWP/SPS (City of Los Angeles) Standard. These measurements may be subject to change. No responsibility is assumed for the use of superseded or voided pages.

August, 2008