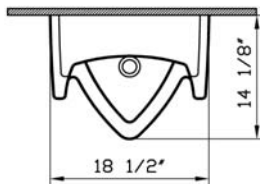


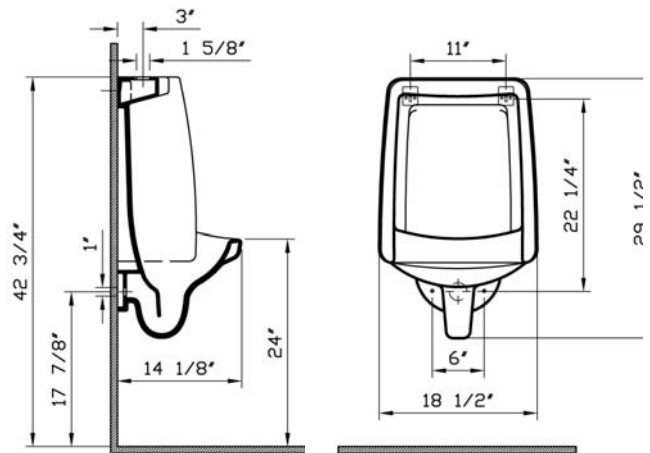


Description	: EverGreen Urinal, 0.25 gpf HEU, ADA Compliant
Model Numbers	: 5231BXXX-0198 Wash out urinal, 3/4" top spud 5231BXXX-0199 Wash out urinal, 3/4" rear spud
Compatible Items	: Sloan 1/4 gpf Flush Valve-Royal 186-0.25
Size	: 29 3/8" Height x 18 1/2" Width x 14 1/8" Rim
Water Consumption	: 0.25 GPF
Flush System	: Wash-out
Spud Diameter	: 3/4"
Minimum Water Pressure	: 25 psi
Included Components	: Top inlet spud (313210) Urinal mounting hanger (313015) Outlet spud (424529)
Shipping Weight	: 66 lbs.
Shipping Dimensions	: 19 3/4"W x 36 3/4"L x 19"H
Installation Guide	: VitrA Guide # 312853
Material	: Vitreous China
Colors	: 003 White 017 Bone / 068 Biscuit (Basic colors) "XXX" indicates the color
Standards	: Urinal complies with ADA requirement when rim is mounted no higher than 17" from finished floor. ASME A 112.19.2, CSA B45, ICC/ANSI A.117.1, CMR 248 (State of Massachusetts)
Warranty	: 10 year limited warranty

1

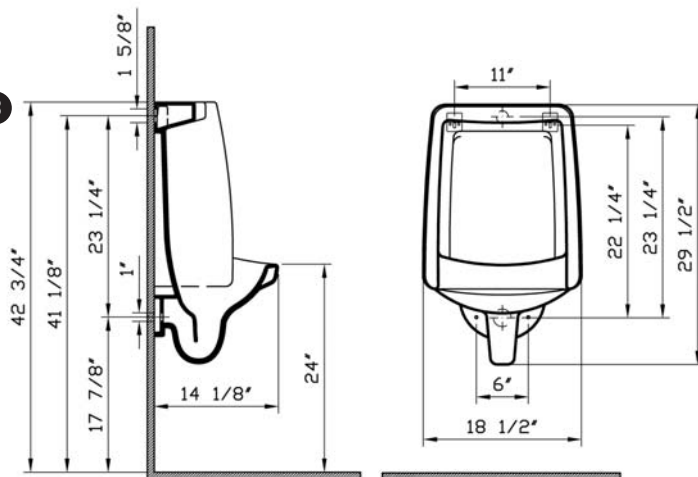


2



5231BXXX-0198

3



5231BXXX-0199

Notes:

- DIMENSIONS SHOWN FOR THE LOCATION OF THE SUPPLY IS SUGGESTED.
- INSTALLATION INSTRUCTIONS SUPPLIED WITH THE TOILET.

IMPORTANT: Dimensions of fixtures are nominal and may vary within the range of tolerances established by ASME Standard A 112.19.2, CSA Standard B45. These measurements may be subject to change. No responsibility is assumed for the use of superseded or voided pages.

May, 2010