

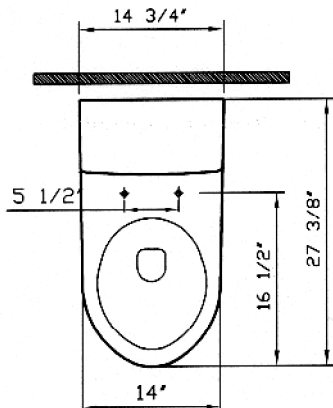
Corina

VitrA®

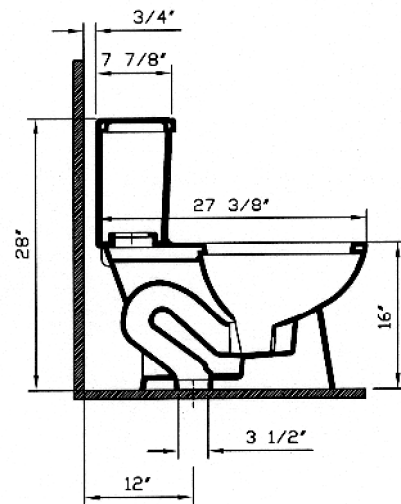


Description	: Corina One-piece with V3 flushing technology Round Bowl
Model Number	: 5209-XXX-5264
Compatible item	: 05-XXX-001 Toilet Seat (with metal hinges) 05-XXX-002 Toilet Seat (with plastic hinges)
Water Consumption	: 1.6 GPF
Water Surface	: 7 3/4" x 9"
Water Depth From Rim	: 6 3/4"
Rough-In	: 12"
Minimum Water Pressure	: 20 psi.
Trap Diameter	: Fully glazed 2" ball pass trapway with 2 1/8" diameter
Trap Seal Depth	: 2 3/8"
Shipping Weight	: 94 lbs.
Shipping Dimensions	: 18 3/8"W x 30 3/4"L x 30 3/8"H
Installation Guide	: VitrA Guide # 312851
Included Components	: Bolt caps (white 310359 / bone-biscuit 310306 / black 310360)
Material	: Vitreous china
Colors	: 003 White 017 Bone, 068 Biscuit (Basic Colors) 001 Edelweiss, 070 Black (Special Colors) "XXX" indicates the color
Standards	: Meets the American Disabilities Act Guidelines and ICC/ANSI A117-1 requirements when installed so top of seat is 17" from the finished floor. Recommended seat for ADA requirements: VitrA 05-XXX-001/05-XXX-002 ASME A 112.19.2, CSA B45, ADA ICC/ANSI A117-1, LADWP/SPS (City of Los Angeles) CMR 248 State of Massachusetts
Warranty	: 10 year limited warranty

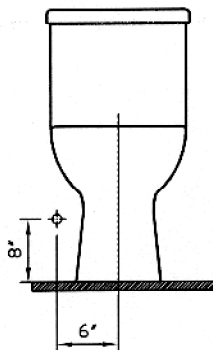
1



2



3



Notes:

- DIMENSIONS SHOWN FOR THE LOCATION OF THE SUPPLY IS SUGGESTED.
- INSTALLATION INSTRUCTIONS SUPPLIED WITH THE TOILET.

IMPORTANT: Dimensions of fixtures are nominal and may vary within the range of tolerances established by ASME Standard A 112.19.2, CSA Standard B45. These measurements may be subject to change. No responsibility is assumed for the use of superseded or voided pages.

January, 2009