

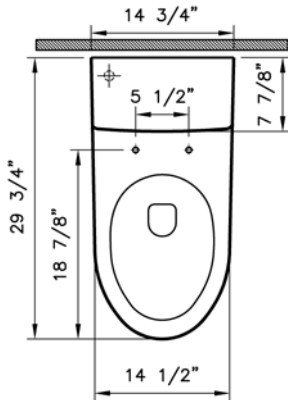
Corina Green

VitrA

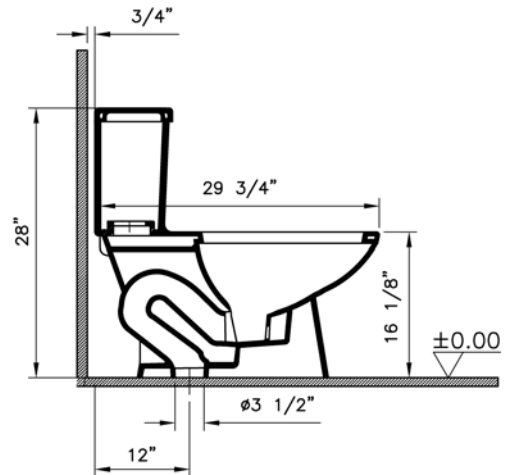


Description	: Corina Green One-piece toilet with low profile tank, 1.28 gpf HET Elongated Bowl, ADA Compliant
Model Numbers	: 5178B003-5365 Polished chrome plated metal trim lever, fluidmaster fill valve, 12" rough in (extended height) 5178B003-5366 Polished chrome plated metal trim lever, fluidmaster fill valve, 12" rough in (styrofoam lined) (extended height)
Compatible Items	: 36-003-002 Toilet Seat (elongated) 44-XXX-009 Toilet Seat (elongated) (soft-closing)
Water Consumption	: 1.28 GPF
Water Surface	: 7 3/4" x 9"
Water Depth From Rim	: 6 3/4"
Rough in	: 12"
Minimum Water Pressure	: 20 psi
Trap Diameter	: Fully glazed 2" ball pass trapway with 2 1/8" diameter
Trap Seal Depth	: 2 3/8"
Shipping Weight	: 85 lbs.
Shipping Dimensions	: 18 3/4"W x 31 1/8"L x 29 3/8"H
Installation Guide	: VitrA Guide # 312851
Included Components	: Bolt caps (white 310359 / bone biscuit 310306 / black 310360)
Material	: Vitreous China
Colors	: 003 White 017 Bone / 068 Biscuit (Basic colors) 070 Black (Special colors) "XXX" indicates the color
Standards	: ASME A 112.19.2, CSA B45
Warranty	: 10 year limited warranty

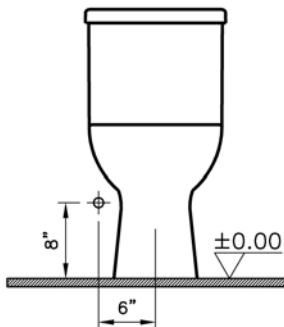
1



2



3



Notes:

- DIMENSIONS SHOWN FOR THE LOCATION OF THE SUPPLY IS SUGGESTED.
- INSTALLATION INSTRUCTIONS SUPPLIED WITH THE TOILET.

IMPORTANT: Dimensions of fixtures are nominal and may vary within the range of tolerances established by ASME Standard A 112.19.2, CSA Standard B45. These measurements may be subject to change. No responsibility is assumed for the use of superseded or voided pages.

May, 2010